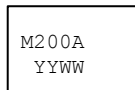


**SPECIFICATION FOR CRYSTAL FILTER**  
**MCF 200.0-8.0/01** (preliminary specification)

**Number: 92 132**  
**Drawing: 64 9513**

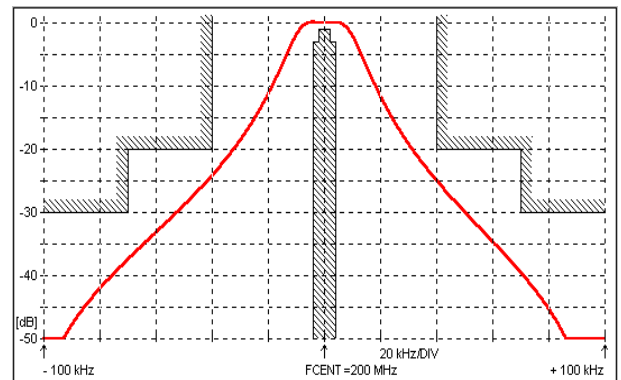
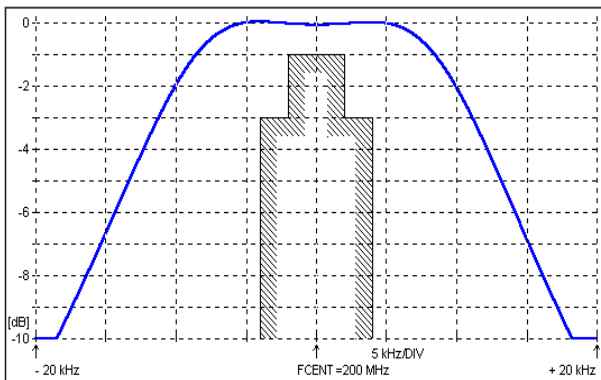
**1. Electric values**

- 1.0 Number of poles: 2
- 1.1 Nominal centre frequency f<sub>nom</sub>: 200 000 kHz
- 1.2 Bandwidth between 3 dB frequencies:  $\geq \pm 4.0$  kHz
- 1.3 Ripple at f<sub>nom</sub>  $\pm 2.0$  kHz:  $\leq 1.0$  dB
- 1.4 Insertion loss:  $\leq 4.5$  dB
- 1.5 Stop band: f<sub>nom</sub>  $\pm 40$  kHz:  $\geq 20$  dB  
f<sub>nom</sub>  $\pm 70$  kHz:  $\geq 30$  dB
- 1.6 Alternate attenuation:  $\geq 40$  dB (except spurious)
- 1.7 Terminating impedance (input and output): 800 Ohm // -0.4 pF
- 1.8 Nominal input power level: -10 dBm  
Maximal input power level: +15 dBm
- 1.9 Operating temperature range: -20°C až +70°C
- 1.10 Case: SMD 7 x 5 mm
- 1.11 Taping 3000 pcs. /reel maximum
- 1.12 Marking on the case :

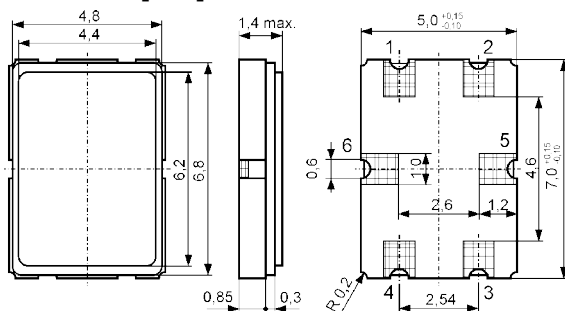


YY - year  
WW - week

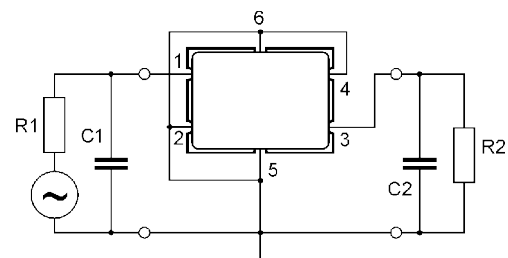
**2. Characteristics MCF 200.0-8.0/01**



**Dimensions[mm]**



**Measurement Circuit**



edited | 22.09.2009 | P.Jüngling