

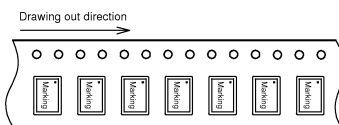


**SPECIFICATION FOR CRYSTAL FILTER**  
**MCF 45.0-100/S1** (preliminary specification)

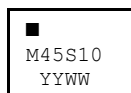
**Number: 92 321**  
**Drawing: 64 9513**

**1. Electric values**

- 1.0 Number of poles: 2
- 1.1 Nominal centre frequency f<sub>nom</sub>: 45 000 kHz (fundamental mode)
- 1.2 Bandwidth between 3 dB frequencies: ≥± 50.0 kHz
- 1.3 Ripple at f<sub>nom</sub> ± 30.0 kHz: ≤ 1.0 dB
- 1.4 Insertion loss: ≤ 3.0 dB
- 1.5 Stop band: f<sub>nom</sub> ± 180 kHz: ≥ 20 dB (except spurious)  
f<sub>nom</sub> - 550 kHz: ≥ 30 dB
- 1.6 Alternate attenuation: ≥ 30 dB (except spurious)
- 1.7 Terminating impedance (input and output): 2700 Ohm // -0.5 pF
- 1.8 Maximum input power level (working / non-damaged): 0 / +16 dBm
- 1.9 Operating temperature range: - 20°C až + 70°C
- 1.10 Case: SMD 7 x 5 mm
- 1.11 Taping 1000 pcs. /reel maximum



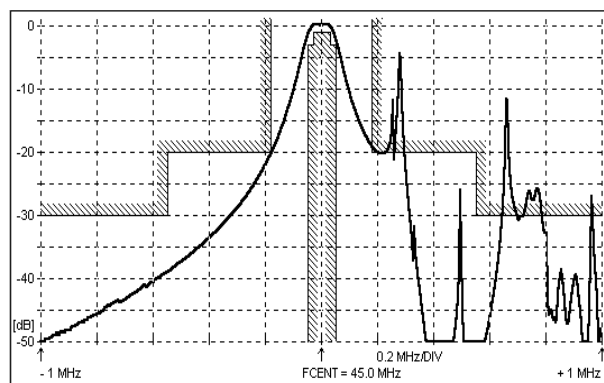
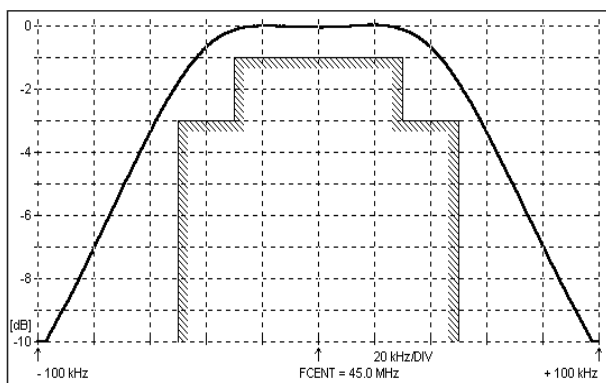
1.12 Marking on the case :



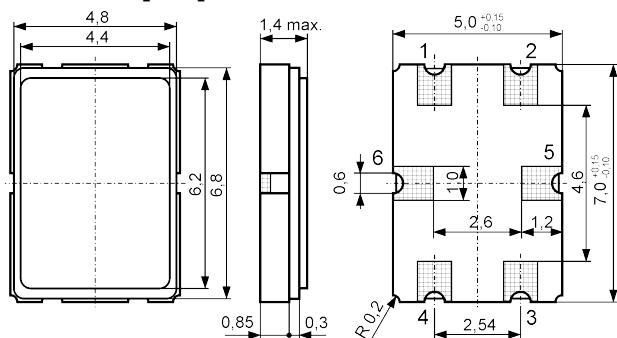
YY - year  
WW - week

(or customer's marking)

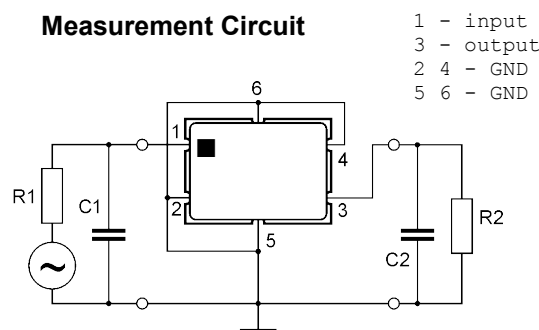
**2. Characteristics MCF 45.0-100/S1**



**Dimensions[mm]**



**Measurement Circuit**



- 1 - input
- 3 - output
- 2 4 - GND
- 5 6 - GND

edited 09.04.2014 P.Jüngling