



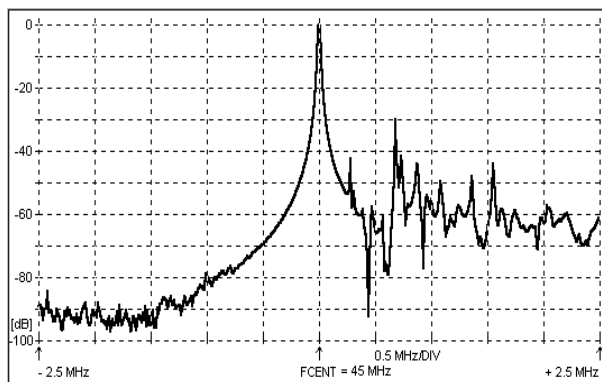
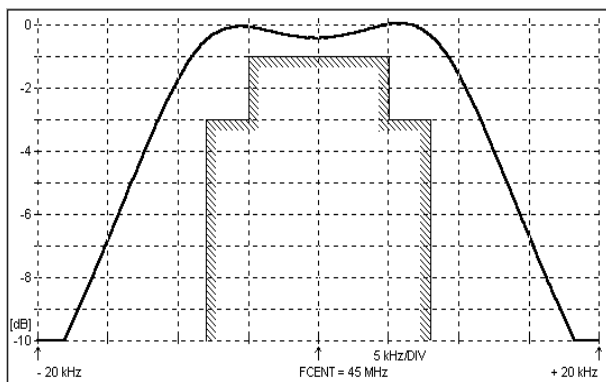
**SPECIFICATION FOR CRYSTAL FILTER**  
**MCF 45.0-16/08**

**Number: 92 065**  
**Drawing: 64 9513**

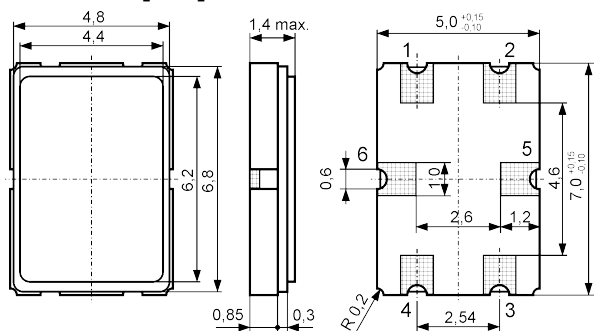
**1. Electric values**

1.0 Number of poles:	2			
1.1 Nominal centre frequency fnom:	45 000 kHz			
1.2 Bandwidth between 3 dB frequencies:	≥± 8.0 kHz			
1.3 Ripple in pass band at fnom ± 5.0 kHz:	≤ 1.0 dB			
1.4 Insertion loss:	≤ 3.0 dB			
1.5 Stop band: fnom ± 30 kHz:	≥ 16 dB			
1.6 Alternate attenuation:	≥ 45 dB ( except spurious )			
1.7 Terminating impedance ( input and output ):	600 Ohm // +3.0 pF			
1.8 Input power level ( working / non-damaged ) :	-5 dBm / +10 dBm			
1.9 Operating temperature range:	- 40°C až + 85°C			
1.10 Case:	SMD 7 x 5 mm			
1.11 Taping 3000 pcs. /reel maximum				
1.12 Marking on the case :	<table border="1"><tr><td>■</td></tr><tr><td>M45A1</td></tr><tr><td>YYWW</td></tr></table>	■	M45A1	YYWW
■				
M45A1				
YYWW				
	YY - year			
	WW – week ( or customer's marking )			

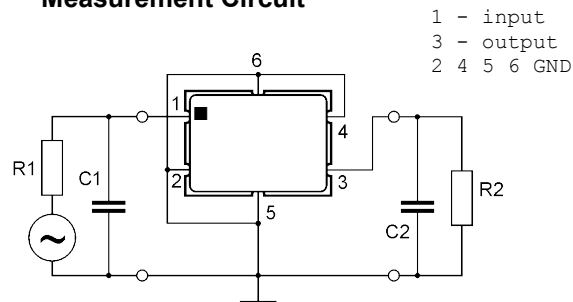
**2. Characteristics MCF 45.0-16/08**



**Dimensions[mm]**



**Measurement Circuit**



edited 23.04.2013 P.Jungling