

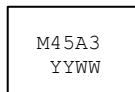


SPECIFICATION FOR CRYSTAL FILTER
MCF 45.0-70/01 (preliminary specification)

Number: 92 140
Drawing: 64 9513

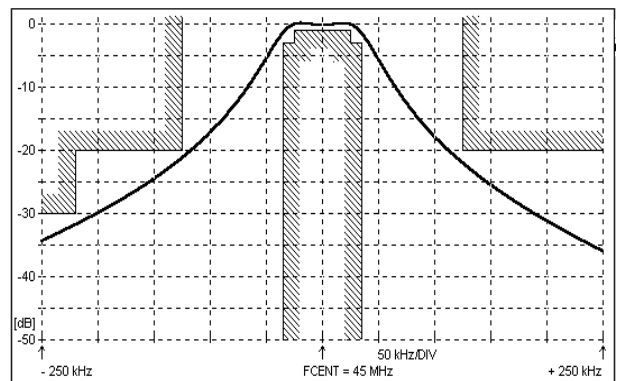
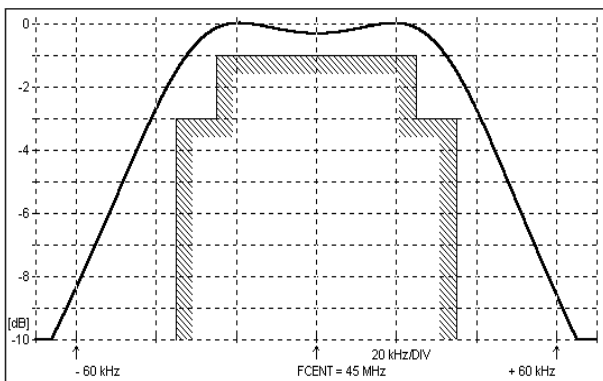
1. Electric values

- 1.0 Number of poles: 2
- 1.1 Nominal centre frequency fnom: 45 000 kHz
- 1.2 Bandwidth between 3 dB frequencies: $\geq \pm 35.0$ kHz
- 1.3 Ripple at fnom ± 25.0 kHz: ≤ 1.0 dB
- 1.4 Insertion loss: ≤ 3.0 dB
- 1.5 Stop band: fnom ± 125 kHz: ≥ 20 dB
fnom - 220 kHz: ≥ 30 dB
- 1.6 Alternate attenuation: ≥ 50 dB (except spurious)
- 1.7 Terminating impedance (input and output): 2400 Ohm // +0.15 pF
- 1.8 Maximum input power level (working / non-damaged): 0 / +16 dBm
- 1.9 Operating temperature range: -20°C až +70°C
- 1.10 Case: SMD 7 x 5 mm
- 1.11 Taping 3000 pcs. /reel maximum
- 1.12 Marking on the case :

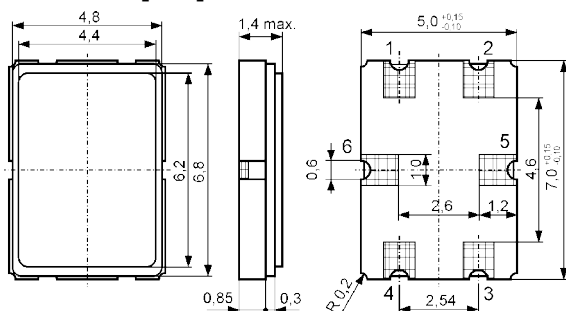


YY - year
WW - week

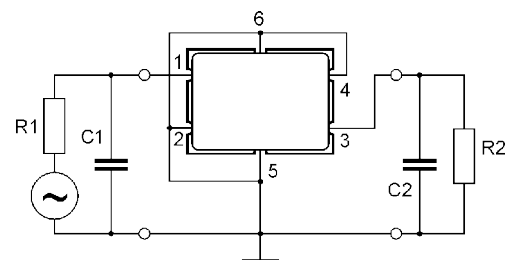
2. Characteristics MCF 45.0-70/01



Dimensions[mm]



Measurement Circuit



edited | 23.11.2009 | P.Jüngling