

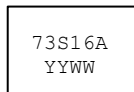


SPECIFICATION FOR CRYSTAL FILTER
MCF 73.35-16/01 (preliminary specification)

Number: 92 066
Drawing: 64 9513

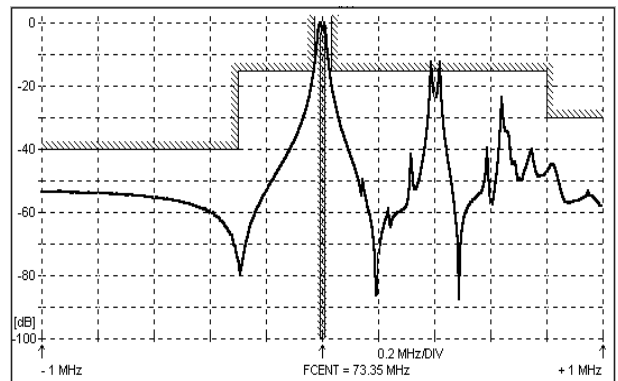
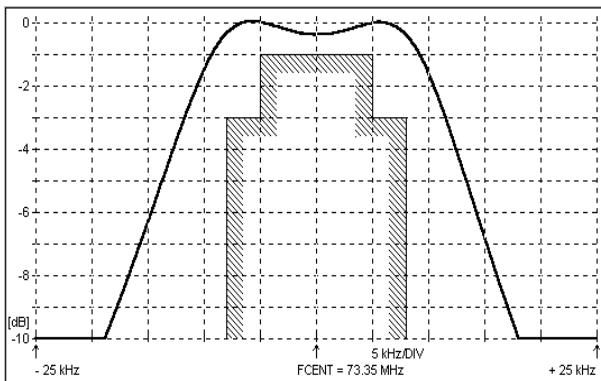
1. Electric values

- 1.0 Number of poles: 2
- 1.1 Nominal centre frequency fnom: 73 350 kHz
- 1.2 Bandwidth between 3 dB frequencies: $\geq \pm 8.0$ kHz
- 1.3 Ripple at fnom ± 5 kHz: ≤ 1.0 dB
- 1.4 Insertion loss: ≤ 5.0 dB
- 1.5 Stop band:
 - fnom ± 30 kHz: ≥ 15 dB
 - fnom - 300 kHz ... -5000 kHz: ≥ 40 dB
 - fnom + 800 kHz ... +5000 kHz: ≥ 30 dB (except spurious)
- 1.6 Alternate attenuation: ≥ 40 dB (except spurious)
- 1.7 Terminating impedance (input and output): 2500 Ohm // -0.8 pF
- 1.8 Maximum input power level (working / non-damaged): -10 / +0 dBm
- 1.9 Operating temperature range: -40°C až +85°C
- 1.10 Case: SMD 7 x 5 mm
- 1.11 Taping 3000 pcs. /reel maximum
- 1.12 Marking on the case :

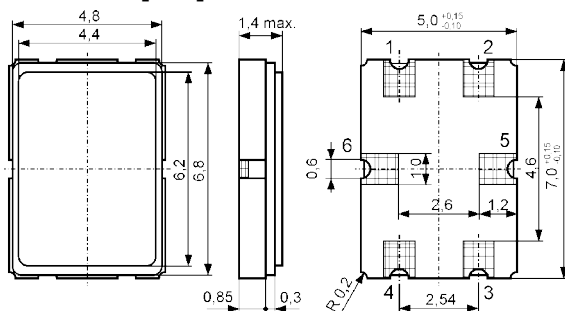


YY - year
WW - week

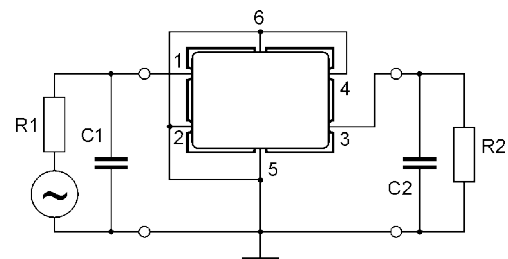
2. Characteristics MCF 73.35-16/01



Dimensions[mm]



Measurement Circuit



edited 12.11.2007 P.Jüngling