

Crystals for hobby modeller radio: specification

Typical application

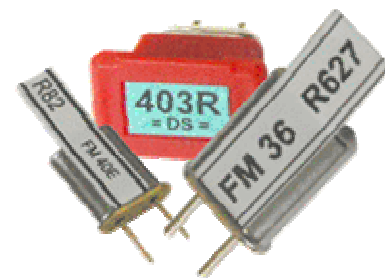
Crystals for hobby modeller radio. Designed for remote control models of many worlds marks.

Features

Transmitters (radiotransmitters, TX), receivers for single mix (RX), receivers for dual mix (RX DS). AM or FM modulation.

Assembly, taping

Cases for modeller crystals (HC-50 and HC-52 series) are through hole types. Modeller crystals can be delivered with a plastic sleeve or with glued tags.



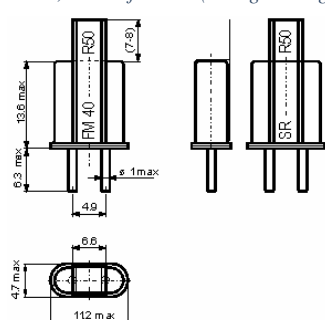
Typical specifications

Parameters	transmitters, receivers for single mix, receivers for dual mix
Band	27, 35, 36, 40, 41, 72, 75 MHz
Case	HC-50/U, HC-52/U
Overtone	1. or 3.
Freq. adjustment tolerance at 25°C	$\pm 7.5, \pm 10, \pm 20 \times 10^{-6}$
Frequency stability	± 8 ppm in $-10 \dots +50$ °C or $\pm 20, \pm 30$ ppm in $-20 \dots +70$ °C
Equivalent series resistance	15Ω, 20Ω, 35Ω, 40Ω (by overtone, frequency and by cases)
Load capacitance	series resonance, $C_L = 5 \dots 50$ pF
Marking	channel number on the top, frequency and channel number on the side

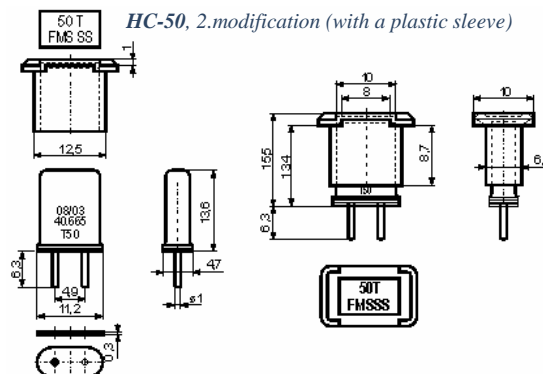
Values according to the customer, respectively. according to the required compatibility with the manufacturer of model kit. Differences from standard values and other parameters can be consulted.

Outline dimensions [mm]

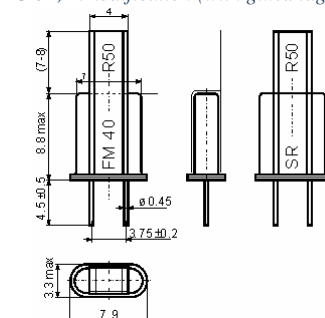
HC-50, 1.modification (with glued tags)



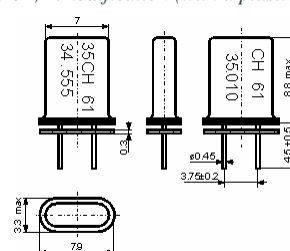
HC-50, 2.modification (with a plastic sleeve)



HC-52, 1.modification (with glued tags)



HC-52, 2.modification (with a plastic sleeve)





www.krystal.cz

Okružní 1144
Hradec Králové
Czech Republic

krystal@krystal.cz
phone: +420 495 408 409

KRYSTALY, Hradec Králové, a.s.

Crystals for hobby modeller radio: offer

Offer

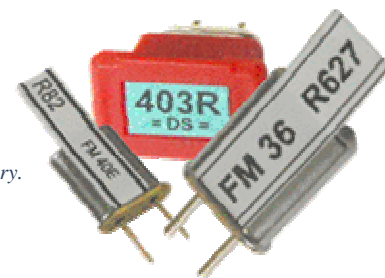
We offer crystal units for model sets of many words marks, for example:

Multiplex, Graupner, Futabu, Hitec, MZK, Kopropo, Am, Acoms and more

We can produce any modeller crystal according to specification, or by sent sample. Contact us with your inquiry.

Compatibility

We guarantee 100% compatibility with the above marks.



Basic overview

Band [MHz]	Channel	Type	Case	Modulation
27	1-30	TX, RX	HC-50	AM
35	61-80			
35	61-80	TX, RX	HC-50/52	FM
	182-191	TX, RX, RX DS		
	255-260			
	281-290			
36	601-659	TX, RX, RX DS	HC-50	FM
40	50-92	TX, RX, RX DS	HC-50	AM
40	41-59	TX, RX, RX DS	HC-50	FM
	81-92			
41	400-420	TX, RX, RX DS	HC-50	FM
72	911-960	TX, RX, RX DS	HC-52	FM
75	961-990	TX, RX	HC-52	FM

Overview of frequency bands, frequency and channels by model kits manufacturers

Transmitters

	27MHz	35MHz	36MHz	40MHz	41MHz	72MHz	75MHz
MULTIPLEX		i	i	i	i	i	i
GRAUPNER	i	i		i			
FUTABU		i		i			
HITEC		i		i	i		
KOPROPO				i			
AM		i		i			
ACOMS				i			

Receivers for single mix

	27MHz	35MHz	36MHz	40MHz	41MHz	72MHz	75MHz
MULTIPLEX		i	i	i	i	i	i
GRAUPNER	i	i		i			
FUTABU		i		i			
HITEC		i		i	i		
KOPROPO				i			
AM		i		i			
ACOMS				i			
MZK		i		i			

Receivers for dual mix

		35MHz	36MHz	40MHz	41MHz	72MHz	
MULTIPLEX		i	i	i	i	i	
GRAUPNER		i		i			
FUTABU		i		i			
HITEC		i		i	i		

Detailed overview of frequency bands and channels can be found on our website.