

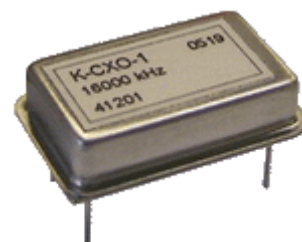
Oscillators CXO

Typical application

Generator clock frequency

Features

This type of crystal oscillator has frequency stability of the crystal units



Typical specifications

Type	CXO-1A CXO-2A	CXO-1B CXO-2B	CXO-1C CXO-2C
Nominal frequency range	5 – 110 MHz		
Frequency stability	< ±25 ppm	< ±50 ppm	< ±100 ppm
Operating temperature range	0 ... +70°C		
Storage temperature range	-55 ... +125°C		
Power supply voltage	+5 V ±5 %		
Current consumption	see table 1		
Output	TTL		
Load	2 TTL or 5 TTL or 10 TTL		
Output voltage	V _{OL} ("0" level) = 0.4V max V _{OH} ("1" level) = 2.4V min		
Rise & fall time (at 0.4 - 2.4 V _{DC})	F < 40 MHz ... 10 ns max F > 40 MHz ... 6 ns max		
Symmetry	40 - 60 % at 2.4 V		

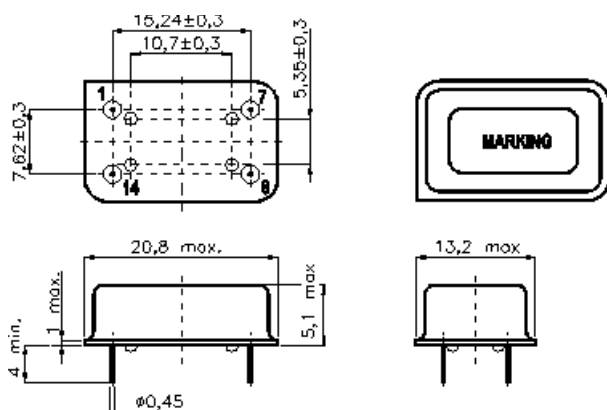
Differences from standard values and other parameters can be consulted.

Current consumption (table 1)

I _{max}	Frequency					
	1 MHz	22 MHz	50 MHz	70 MHz	80 MHz	110 MHz
	15 mA	30 mA	40 mA	60 mA	70 mA	

Outline dimensions [mm]

- version CXO-1x



- version CXO-2x

