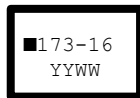


SPECIFICATION FOR CRYSTAL FILTER
MCF 173.075-16/01 (Version 2. preliminary specification)

Number: 92 253
Drawing: 64 9513

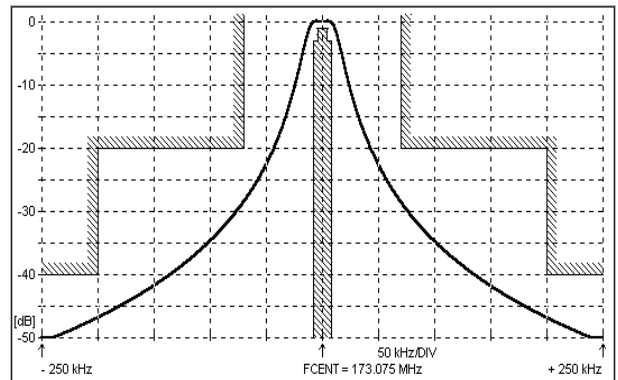
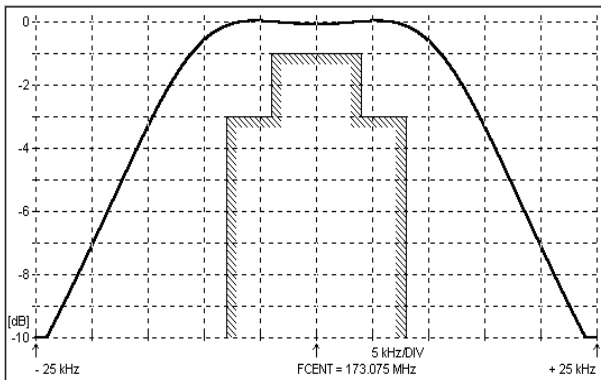
1. Electric values

- 1.0 Number of poles: 2
- 1.1 Nominal center frequency fnom: 173 075 kHz (3. overtone)
- 1.2 Bandwidth between 3 dB frequencies: $\geq \pm 8.0$ kHz
- 1.3 Ripple in pass band peak to peak: ≤ 1.0 dB
- 1.4 Insertion loss: ≤ 4.0 dB
- 1.5 Stop band: fnom ± 70 kHz: ≥ 20 dB
fnom ± 200 kHz: ≥ 40 dB (except spurious)
100 MHz ... 165 MHz: ≥ 40 dB
- 1.6 Alternate attenuation: 174 MHz ... 1000 MHz: ≥ 40 dB (except spurious)
- 1.7 Spurious responses: fnom + 85 kHz ... + 925 kHz: ≥ 3 dB
Spurious responses: fnom + 925 kHz ... + 2200 kHz: ≥ 15 dB
- 1.8 Terminating impedance (input and output): 300 Ohm // +0.1 pF
- 1.9 Maximum input power level (working / non-damaged): -10 dBm
Maximum input power level (for non-damaged max. 10 s): +10 dBm
- 1.10 Operating temperature range: -30°C ... + 85°C
- 1.11 Case: SMD 7 x 5 mm
- 1.12 Taping 3000 pcs. /reel maximum
- 1.13 Marking on the case :

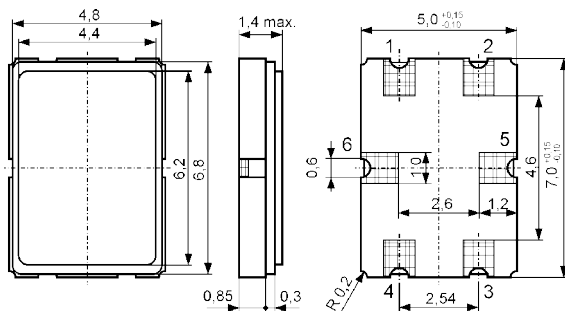


YY - year
WW - week
(or customer's marking)

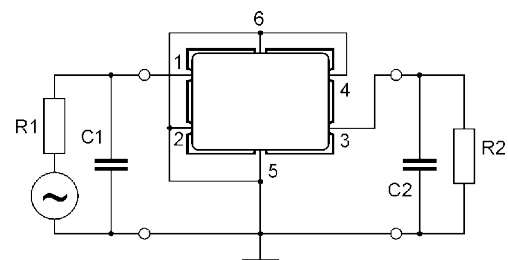
2. Characteristics MCF 173.075-16/01



Dimensions[mm]



Measurement Circuit



edited 26.09.2012 P.Jüngling