

SPECIFICATION FOR CRYSTAL FILTER MCF 9.0-2.4/10

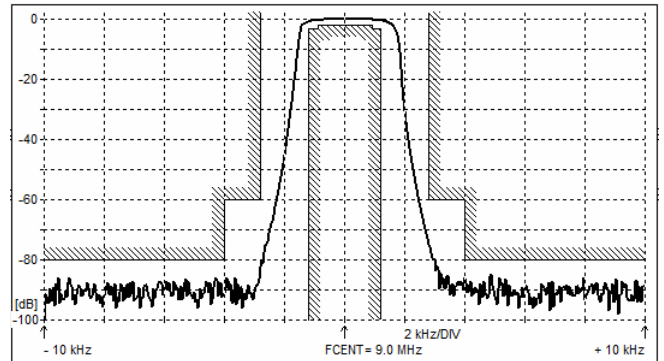
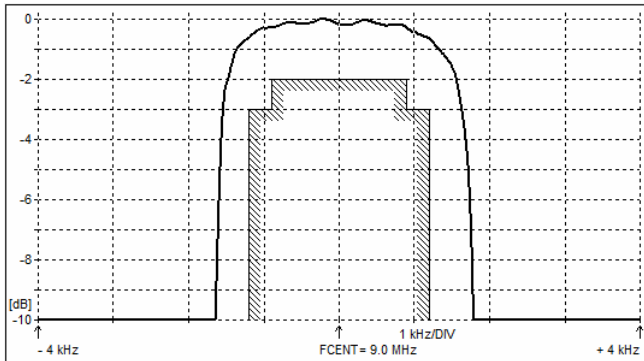
Number: 92 780
Drawing: 61 9580

1. Electric values

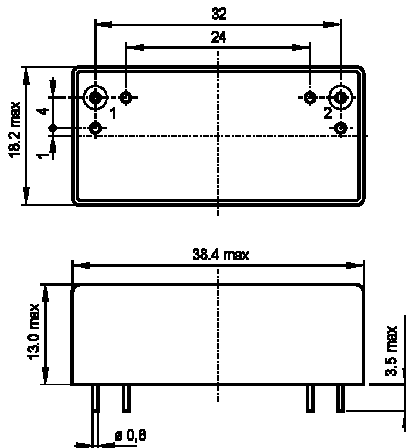
- 1.0 Number of poles : 10
- 1.1 Nominal centre frequency f_{nom} : 9.0 MHz
- 1.2 Bandwidth between 3 dB frequencies : $\geq \pm 1.2$ kHz
- 1.3 Ripple at $f_{nom} \pm 0.9$ kHz : ≤ 2.0 dB
- 1.4 Insertion loss : ≤ 5.0 dB
- 1.5 Stop band $f_{nom} \pm 2.8$ kHz : ≥ 60 dB
 $f_{nom} \pm 4.0 \dots \pm 300$ kHz : ≥ 80 dB
- 1.6 Terminating impedance (input and output) : 50 Ohm // 0 pF
- 1.7 Operating temperature range : -20°C to +70°C
- 1.8 Case : KF-17 (38.4 x 18.2 x 13.0 mm)
- 1.9 Marking on the case :

KRYSTALY HK
YYWW
9.0-2.4/10

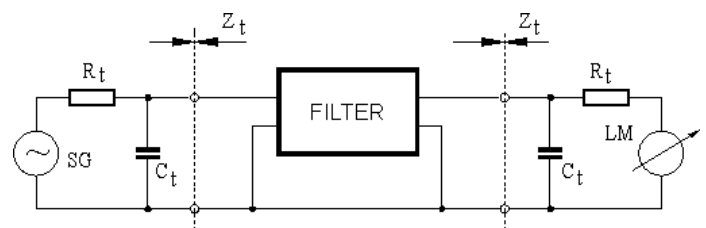
2. Characteristics MCF 9.0-2.4/10



Dimensions [mm] Case KF-17



Measurement Circuit



edited	17.03.2021	P. Seidl
--------	------------	----------