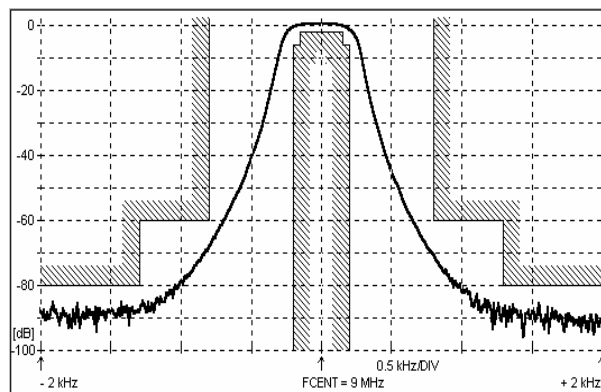
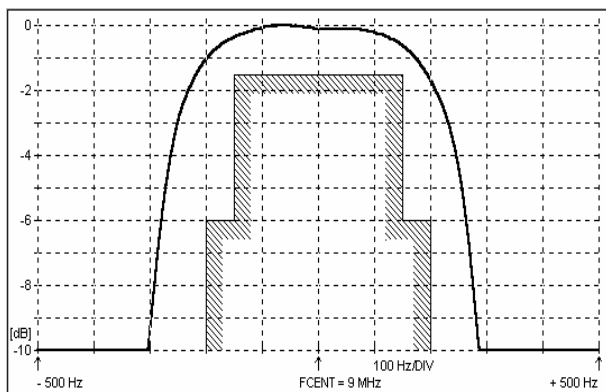
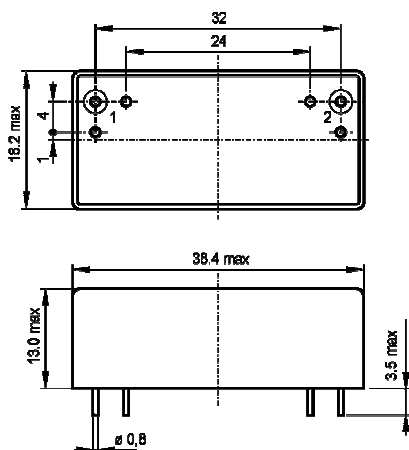
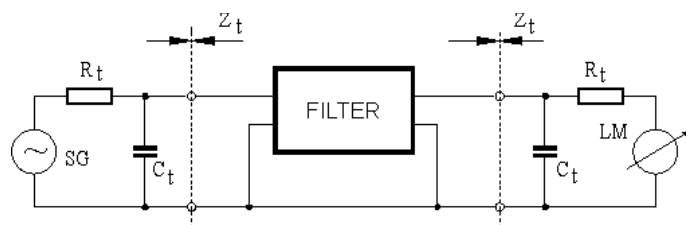
**SPECIFICATION FOR CRYSTAL FILTER**  
**KF 9.0-0.5/06**Number: 92 098  
Drawing: 61 9580**1. Electric values**

1.0 Number of poles :	6
1.1 Nominal centre frequency $f_{nom}$ :	9.0 MHz
1.2 Centre frequency $f_c$ :	9.0 MHz $\pm$ 0.1 kHz
1.3 Bandwidth between 6 dB frequencies :	0.5 kHz $\pm$ 0.1 kHz
1.4 Ripple at $f_{nom} \pm 0.15$ kHz :	$\leq$ 1.5 dB
1.5 Insertion loss :	$\leq$ 7.0 dB
1.6 Stop band $f_{nom} \pm 0.8$ kHz :	$\geq$ 60 dB
$f_{nom} \pm 1.3 \dots \pm 500$ kHz :	$\geq$ 80 dB
1.7 Terminating impedance ( input and output ) :	50 Ohm // 0 pF
1.8 Operating temperature range :	- 20°C to + 70° C
1.9 Case :	KF 17 ( 38.4 x 18.2 x 13.0 mm )
1.10 Marking on the case :	YY - year WW - week

KRYSTALY YYWW MCF 9.0-0.5/06
---------------------------------

**2. Characteristics MCF 9.0-0.5/06****Dimensions[mm]****Measurement Circuit**

edited	25.09.2009	P.Jüngling
--------	------------	------------