

SPECIFICATION FOR CRYSTAL FILTER
MCF 10.0-3.4/08

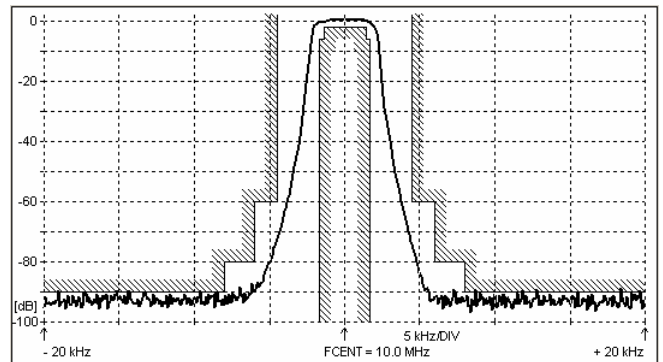
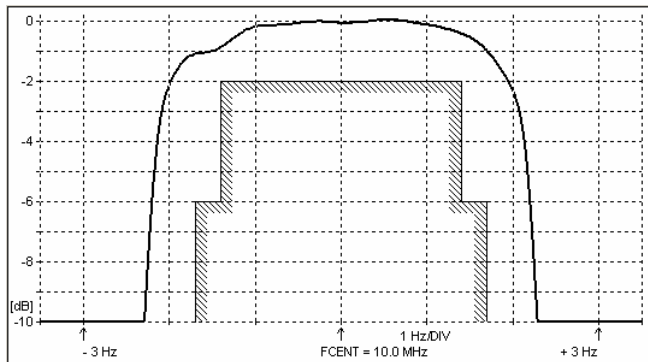
Number: 91 979
Drawing: 61 9580

1. Electric values

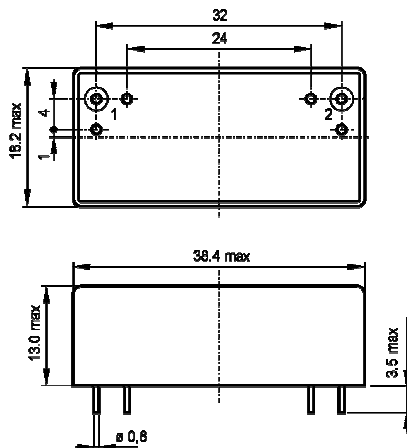
- | | |
|--|-------------------------------|
| 1.0 Number of poles : | 8 |
| 1.1 Nominal centre frequency f_{nom} : | 10.0 MHz |
| 1.2 Centre frequency f_c : | 10.0 MHz \pm 200 Hz |
| 1.3 Bandwidth between 6 dB frequencies : | $\geq \pm 1.7$ kHz |
| 1.4 Ripple at $f_{nom} \pm 1.4$ kHz : | ≤ 2.0 dB |
| 1.5 Insertion loss : | ≤ 4.0 dB |
| 1.6 Stop band $f_{nom} \pm 4.0$ kHz : | ≥ 50 dB |
| $f_{nom} \pm 4.5$ kHz : | ≥ 60 dB |
| $f_{nom} \pm 5.0$ kHz : | ≥ 70 dB |
| $f_{nom} \pm 6.0$ kHz : | ≥ 80 dB |
| $f_{nom} \pm 8.0$ kHz : | ≥ 90 dB |
| 1.7 Terminating impedance (input and output) : | 1000 Ohm // 25 pF |
| 1.8 Operating temperature range : | -30°C to +80°C |
| 1.9 Case : | KF 17 (38.4 x 18.2 x 13.0 mm) |
| 1.10 Marking on the case : | YY = year
WW = week |

KRYSTALY CZ YYWW 10.0-3.4/08

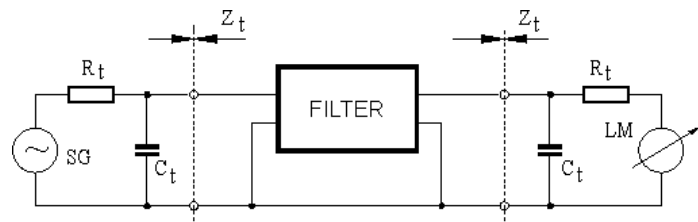
2. Characteristics MCF 10.0-3.4/08



Dimensions [mm]
Case KF-17



Measurement Circuit



edited	22.08.2011	P. Seidl
--------	------------	----------