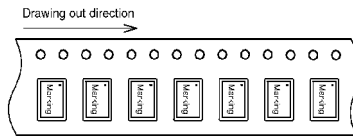


# SPECIFICATION FOR CRYSTAL FILTER MCF 100.0-24/02

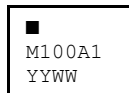
Number: 92 235  
Drawing: 64 9513

## 1. Electric values

- 1.0 Number of poles: 4
- 1.1 Nominal centre frequency f<sub>nom</sub>: 100 000 kHz ( fundamental mode)
- 1.2 Bandwidth between 3 dB frequencies: ≥± 12 kHz
- 1.3 Ripple at f<sub>nom</sub> ± 8 kHz: ≤ 1.0 dB
- 1.4 Insertion loss: ≤ 4.5 dB
- 1.5 Stop band: f<sub>nom</sub> ± 27 kHz: ≥ 10 dB  
f<sub>nom</sub> ± 65 kHz: ≥ 40 dB  
f<sub>nom</sub> ± 110 kHz: ≥ 60 dB
- 1.6 Spurious responses: f<sub>nom</sub> + 110 kHz ... + 5000 kHz: ≥ 30 dB
- 1.7 Alternate attenuation: f<sub>nom</sub> ± 37 MHz: ≥ 70 dB ( except spurious )
- 1.8 Terminating impedance Input and Output : 350 Ohm // +2.0 pF  
Coupling capacitance: +6.5 pF
- 1.9 Maximum input power level ( working / non-damaged ): -10 / 0 dBm
- 1.10 Operating temperature range: - 40°C až + 85°C
- 1.11 Case: SMD 7 x 5 mm
- 1.12 Taping 1000 pcs. /reel maximum

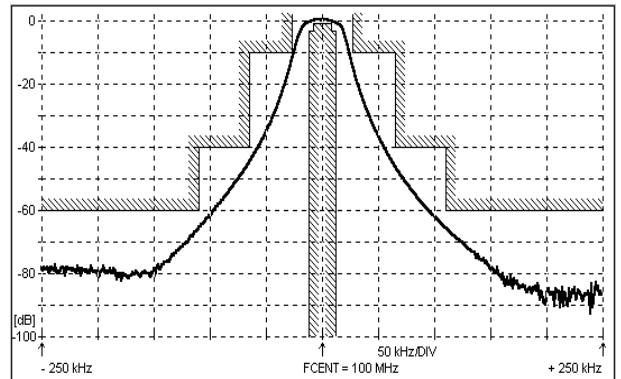
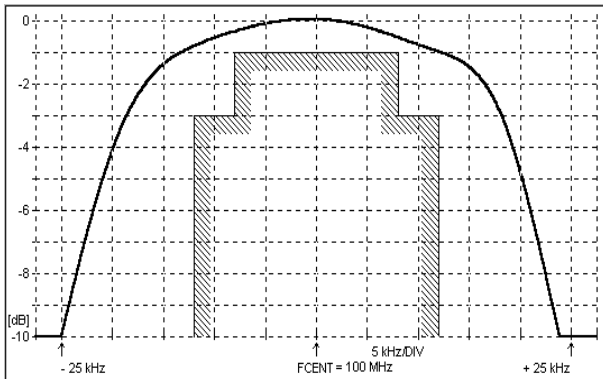


1.13 Marking on the case :

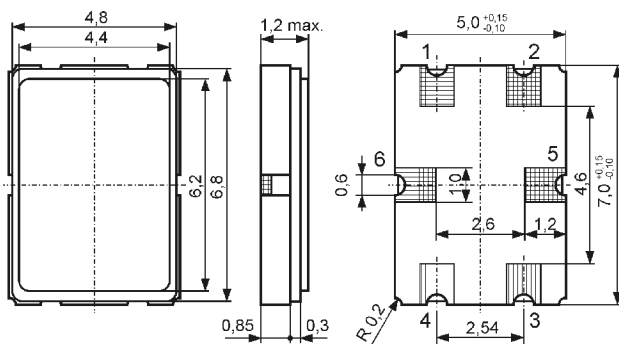


YY - year  
WW – week

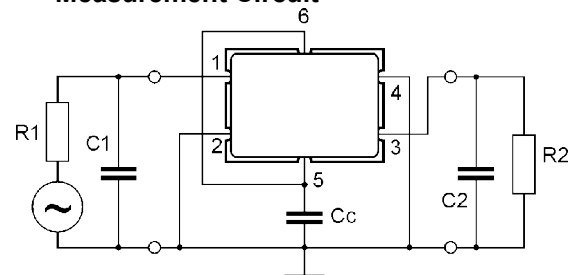
## 2. Characteristics MCF 100.0-24/02



## Dimensions[mm]



## Measurement Circuit



Cc: External coupling capacitor is required

edited 07.12.2012 P.Jungling