

# SPECIFICATION FOR CRYSTAL FILTER MCF 10.015-11/18

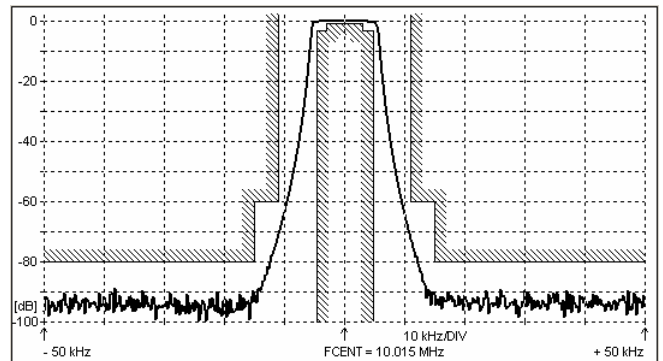
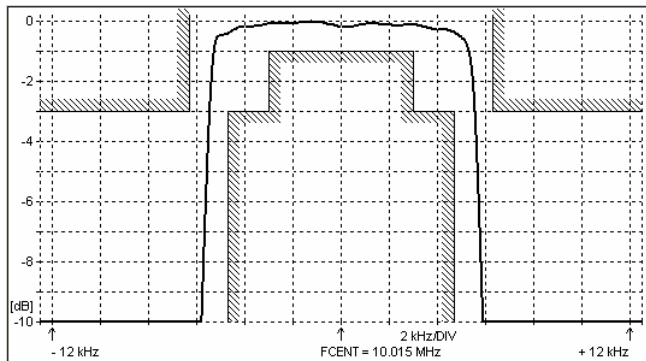
Number: 92 346  
Drawing: 61 9580

## 1. Electric values

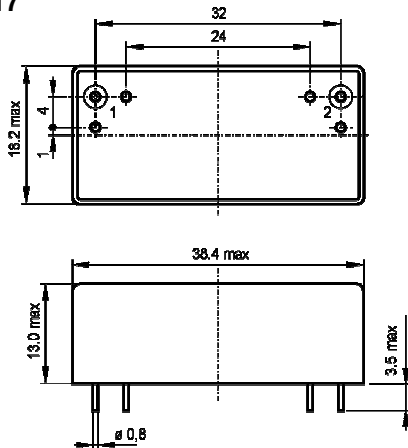
- 1.0 Number of poles : 8
- 1.1 Nominal centre frequency  $f_{nom}$  : 10.015 MHz
- 1.2 Centre frequency  $f_c$  : 10.015 MHz  $\pm$  0.5 kHz
- 1.3 Bandwidth between 3 dB frequencies : 11.0  $\pm$  0.6 kHz
- 1.4 Ripple at  $f_{nom} \pm 3.0$  kHz :  $\leq$  1.0 dB
- 1.5 Insertion loss :  $\leq$  4.0 dB
- 1.6 Stop band  $f_{nom} \pm 11$  kHz :  $\geq$  60 dB  
 $f_{nom} \pm 15 \dots \pm 300$  kHz :  $\geq$  80 dB
- 1.7 Terminating impedance ( IN / OUT ) : 50 Ohm // 0 pF
- 1.8 Operating temperature range : -20°C to +70°C
- 1.9 Case : KF-17 (38.4 x 18.2 x 13.0 mm)
- 1.10 Marking on the case :

KRYSTALY HK
YYWW
10.015-11/18

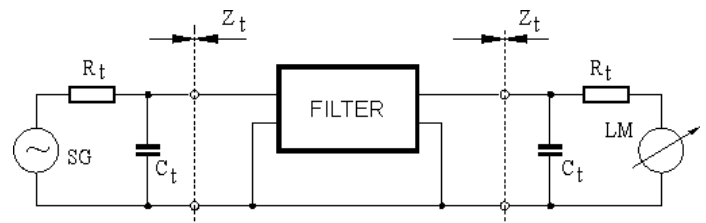
## 2. Characteristics MCF 10.015-11/18



### Dimensions [mm] Case KF-17



### Measurement Circuit



edited	06.03.2015	P. Seidl
--------	------------	----------