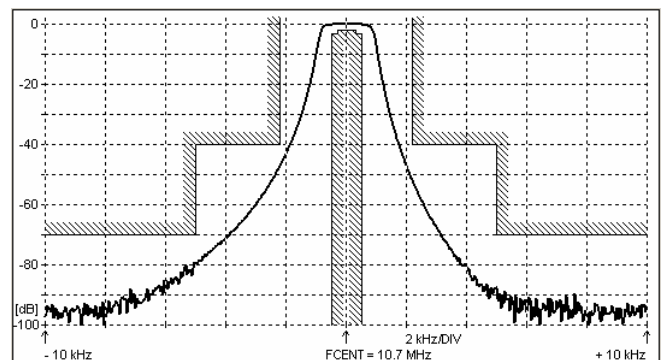
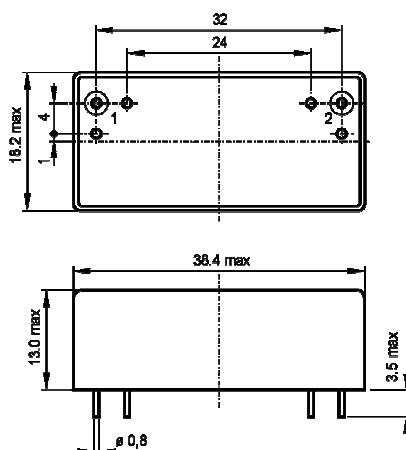
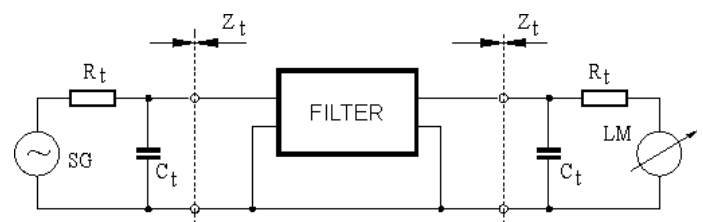
**SPECIFICATION FOR CRYSTAL FILTER**
KF 10.7-1.0/05Number: 92 075
Drawing: 61 9580**1. Electric values**

1.0 Number of poles :	5
1.1 Nominal centre frequency f_{nom} :	10.7 MHz
1.2 Bandwidth between 3 dB frequencies :	$\geq \pm 0.5$ kHz
1.3 Ripple at $f_{nom} \pm 0.3$ kHz :	≤ 1.5 dB
1.4 Insertion loss :	≤ 4.0 dB
1.5 Stop band $f_{nom} \pm 2.2$ kHz :	≥ 40 dB
$f_{nom} \pm 5.0 \dots \pm 500$ kHz :	≥ 70 dB
1.6 Terminating impedance (input and output) :	50 Ohm // 0 pF
1.7 Operating temperature range :	- 40°C to + 85° C
1.8 Case :	KF 17 (38.4 x 18.2 x 13.0 mm)
1.9 Marking on the case :	YY - year WW - week

KRYSTALY	YYWW
MCF 10.7-1.0/05	

2. Characteristics MCF 10.7-1.0/05**Dimensions[mm]**
Case KF-17**Measurement Circuit**

edited 10.09.2012 P. Seidl