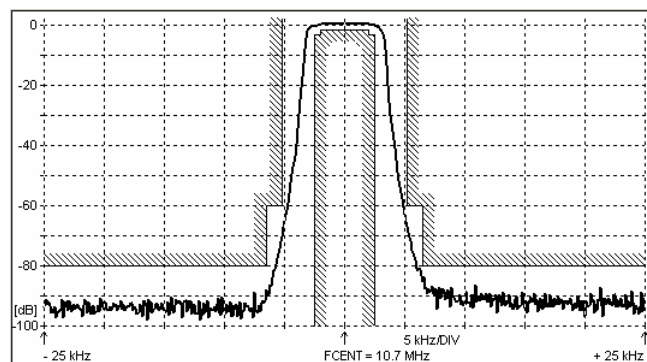
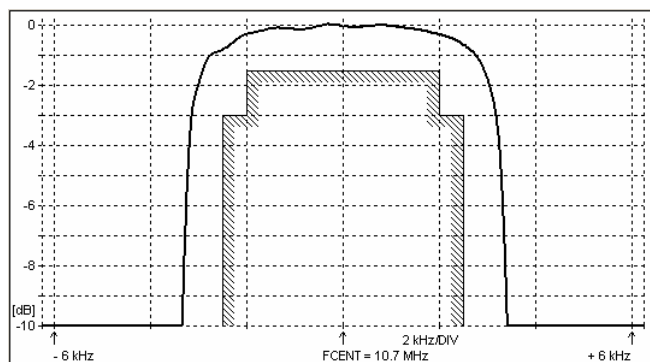
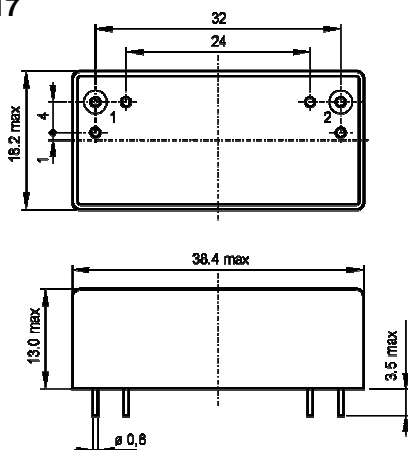
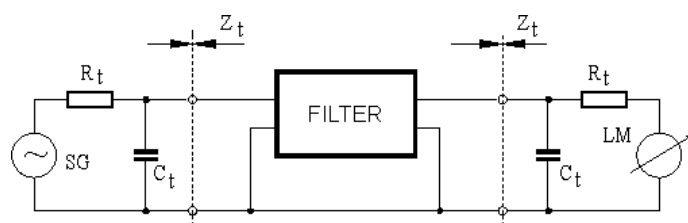


**SPECIFICATION FOR CRYSTAL FILTER**  
**MCF 10.7-5.0/10**Number: 92 389  
Drawing: 61 9580**1. Electric values**

- 1.0 Number of poles : 10
- 1.1 Nominal centre frequency  $f_{nom}$  : 10.7 MHz
- 1.2 Bandwidth between 3 dB frequencies :  $\geq \pm 2.5$  kHz
- 1.3 Ripple at  $f_{nom} \pm 2.0$  kHz :  $\leq 1.5$  dB
- 1.4 Insertion loss :  $\leq 5.0$  dB
- 1.5 Stop band  $f_{nom} \pm 5.2$  kHz :  $\geq 60$  dB  
 $f_{nom} \pm 6.5 \dots \pm 500$  kHz :  $\geq 80$  dB
- 1.6 Terminating impedance ( input and output ) : 50 Ohm // 0 pF
- 1.7 Operating temperature range : -40°C to +85°C
- 1.8 Case : KF-17 (38.4 x 18.2 x 13.0 mm)
- 1.9 Marking on the case :

KRYSTALY HK YYWW 10.7-5.0/10
------------------------------------

YY = year  
WW = week**2. Characteristics MCF 10.7-5.0/10****Dimensions [mm]**  
**Case KF-17****Measurement Circuit**

edited 22.04.2016 P. Seidl