



# SPECIFICATION FOR CRYSTAL FILTER MCF 10.7-7.5/16

Number: 92 369  
Drawing: 61 9580

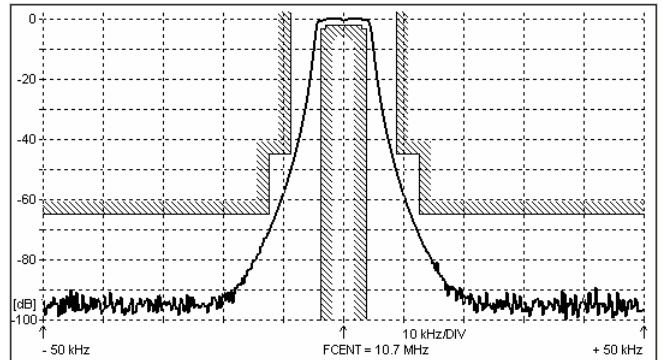
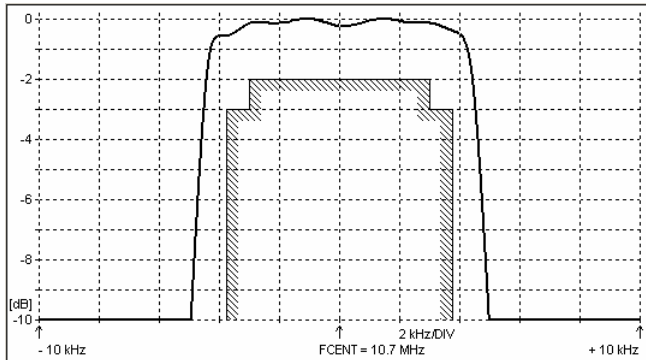
## 1. Electric values

- 1.0 Number of poles : 6
- 1.1 Nominal centre frequency  $f_{nom}$  : 10.7 MHz
- 1.2 Bandwidth between 3 dB frequencies :  $\geq \pm 3.75$  kHz
- 1.3 Ripple at  $f_{nom} \pm 3.0$  kHz :  $\leq 2.0$  dB
- 1.4 Insertion loss :  $\leq 4.0$  dB
- 1.5 Stop band  $f_{nom} \pm 8.75$  kHz :  $\geq 45$  dB
- $f_{nom} \pm f_{nom} \pm 12.5 \dots \pm 500$  kHz:  $\geq 65$  dB
- 1.7 Terminating impedance ( input and output ) : 50 Ohm // 0 pF
- 1.8 Operating temperature range : -30°C to +80°C
- 1.9 Case : KF 17 (38.4 x 18.2 x 13.0 mm)
- 1.10 Marking on the case :
 

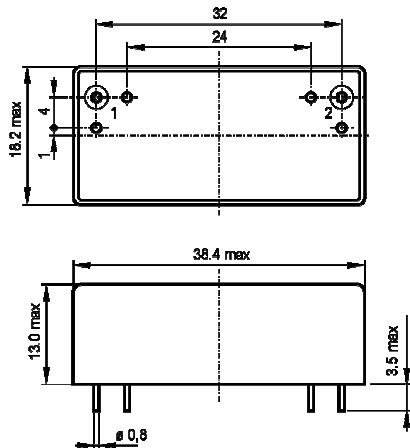
KRYSTALY HK  
 YYWW  
 10.7-7.5/16

 YY = year  
 WW = week

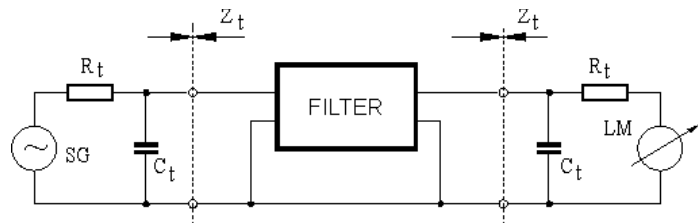
## 2. Characteristics MCF 10.7-7.5/16



### Dimensions [mm] Case KF-17



### Measurement Circuit



edited 13.11.2015 RD Krystaly