



SPECIFICATION FOR CRYSTAL FILTER MCF 10.7-25/06

Number: 92 096
Drawing: 61 9580

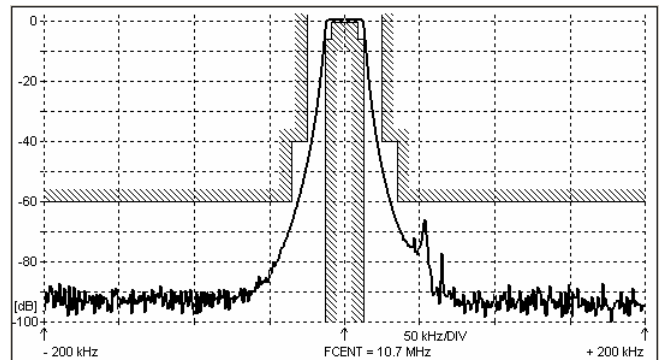
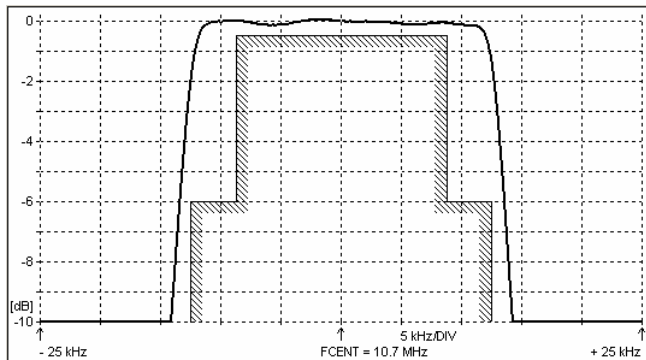
1. Electric values

- 1.0 Number of poles : 6
- 1.1 Nominal centre frequency f_{nom} : 10.7 MHz
- 1.2 Bandwidth between 6 dB frequencies : $\geq \pm 12.5$ kHz
- 1.3 Ripple at $f_{nom} \pm 8.75$ kHz : ≤ 0.5 dB
- 1.4 Insertion loss : ≤ 2.0 dB
- 1.5 Stop band $f_{nom} \pm 25$ kHz : ≥ 40 dB
 $f_{nom} \pm 35$ kHz : ≥ 60 dB
- 1.6 Alternate attenuation $f_{nom} \pm 35 \dots \pm 300$ kHz : ≥ 60 dB
- 1.7 Terminating impedance (input and output) : 900 Ohm // 25 pF
- 1.8 Operating temperature range : -40°C až $+70^\circ\text{C}$
- 1.9 Case : KF 17 (38.4 x 18.2 x 13.0 mm)
- 1.10 Marking on the case :

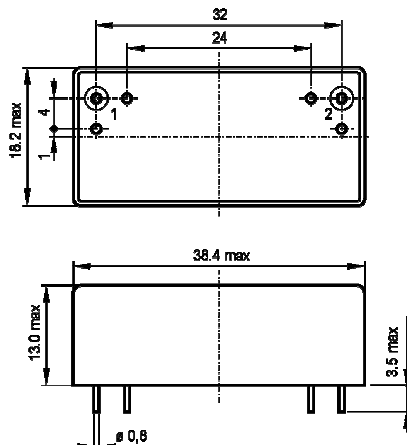
KRYSTALY CZ
YYWW
10.7-25/06

YY = year
WW = week

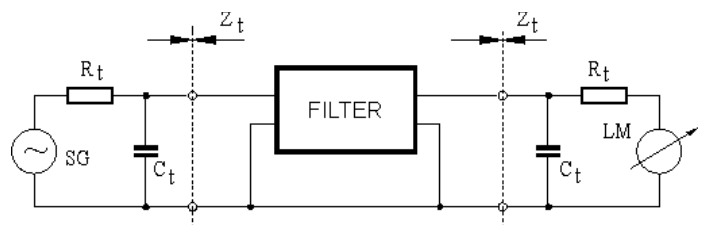
2. Characteristics MCF 10.7-25/06



Dimensions [mm] Case KF-17



Measurement Circuit



edited	16.08.2011	P. Seidl
--------	------------	----------