

# SPECIFICATION FOR CRYSTAL FILTER MCF 10.7-26/10

Number: 91 730  
Drawing: 61 9580

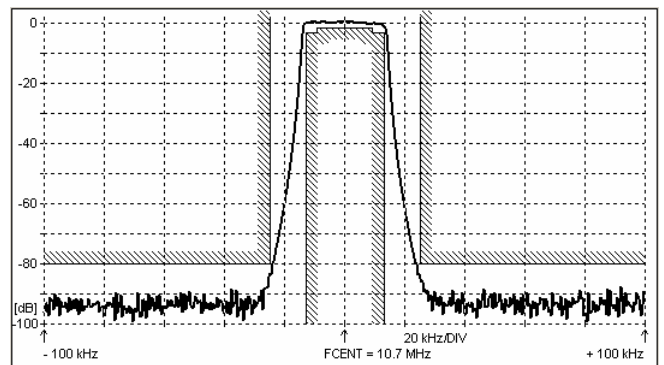
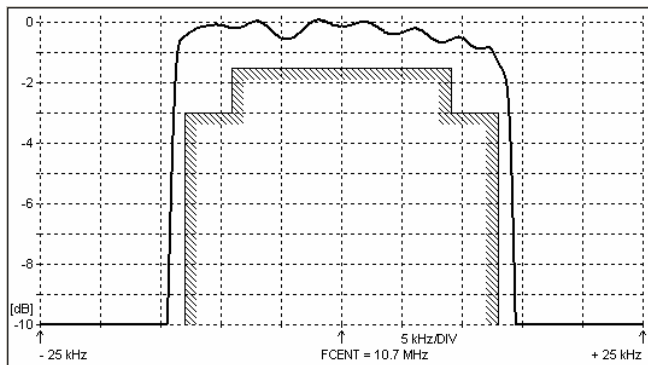
## 1. Electric values

- 1.0 Number of poles : 10
- 1.1 Nominal centre frequency  $f_{nom}$  : 10.7 MHz
- 1.2 Centre frequency  $f_c$  (at 25 °C) : 10.7 MHz  $\pm$  300 Hz
- 1.3 Bandwidth between 3 dB frequencies :  $\geq \pm$  13 kHz
- 1.4 Ripple at  $f_{nom} \pm 9.1$  kHz :  $\leq$  1.5 dB
- 1.5 Insertion loss :  $\leq$  3.0 dB
- 1.6 Stop band  $f_{nom} \pm 25$  kHz :  $\geq$  80 dB
- 1.7 Ultimate attenuation :  $\geq$  90 dB
- 1.8 Terminating impedance ( input and output ) : 910 Ohm // 25 pF
- 1.9 Operating temperature range : -20°C až +70°C
- 1.10 Case : KF 17 (38.4 x 18.2 x 13.0 mm)
- 1.11 Marking on the case :

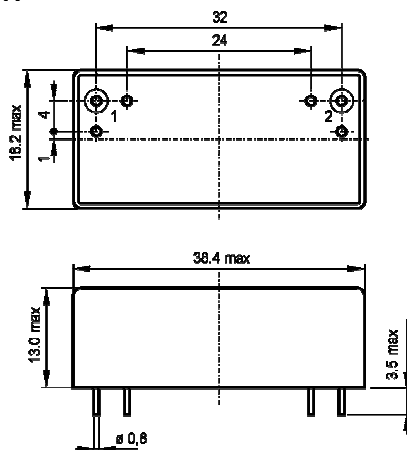
KRYSTALY CZ
YYWW
10.7-26/10

YY = year  
WW = week

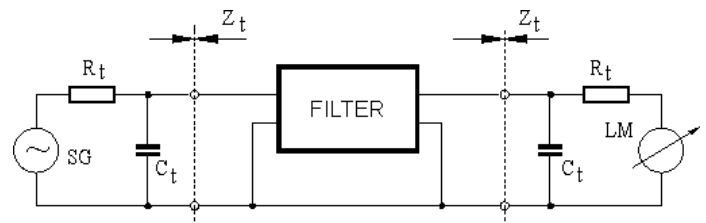
## 2. Characteristics MCF 10.7-26/10



## Dimensions [mm] Case KF-17



## Measurement Circuit



edited 10.08.2011 P. Seidl