



SPECIFICATION FOR CRYSTAL FILTER MCF 10.7-50/16

Number: 92 269
Drawing: 61 9580

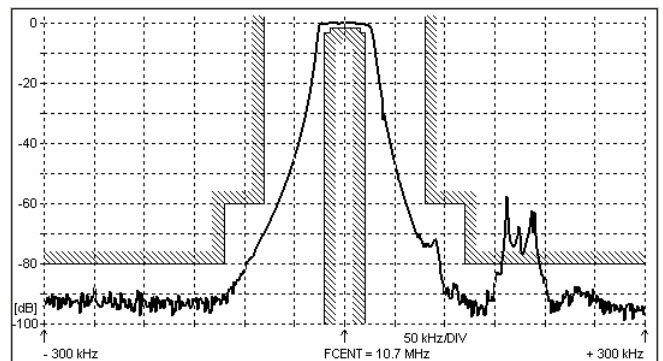
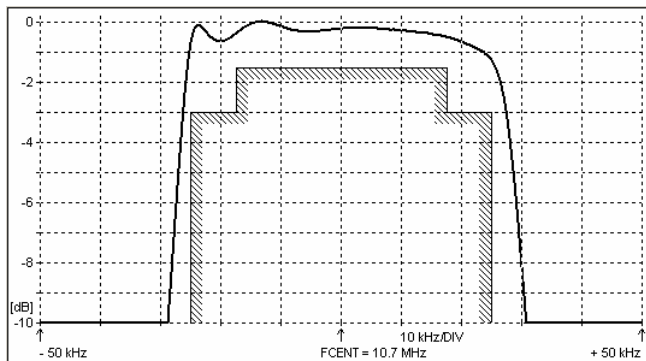
1. Electric values

- 1.0 Number of poles : 6
- 1.1 Nominal centre frequency f_{nom} : 10.7 MHz
- 1.2 Bandwidth between 3 dB frequencies : $\geq \pm 25$ kHz
- 1.3 Ripple at $f_{nom} \pm 17.5$ kHz : ≤ 1.5 dB
- 1.4 Insertion loss : ≤ 4.0 dB
- 1.5 Stop band $f_{nom} \pm 80$ kHz : ≥ 60 dB
 $f_{nom} \pm 120$ kHz : ≥ 80 dB
- 1.6 Alternate attenuation : ≥ 80 dB (except spurious)
- 1.7 Terminating impedance (input and output) : 50 Ohm // 0 pF
- 1.8 Operating temperature range : -20°C to $+70^{\circ}\text{C}$
- 1.9 Case : KF 17 (38.4 x 18.2 x 13.0 mm)
- 1.10 Marking on the case :

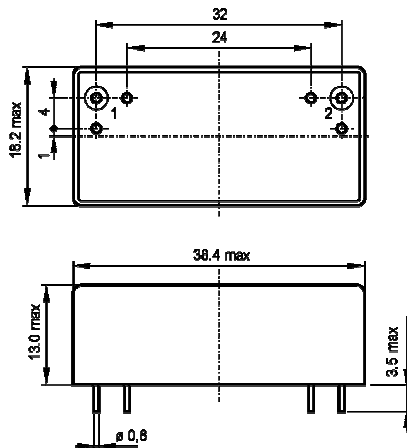
KRYSTALY CZ YYWW
MCF 10.7-50/16

YY = year
WW = week

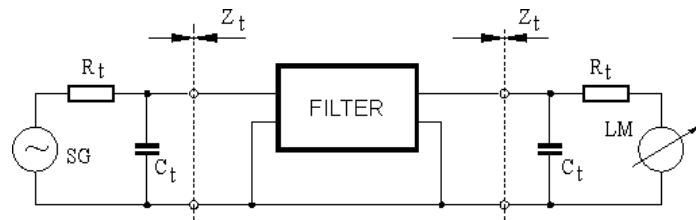
2. Characteristics MCF 10.7-50/16



Dimensions [mm] Case KF-17



Measurement Circuit



edited	03.10.2012	P. Seidl
--------	------------	----------