



**SPECIFICATION FOR CRYSTAL FILTER**  
**MCF 121.0-15/08**

**Number: 92 303**  
**Drawing: 61 9580**

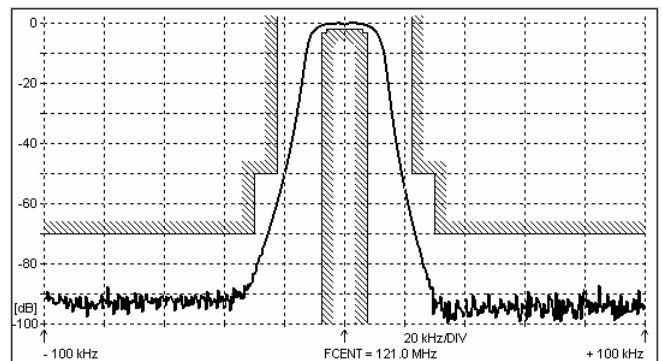
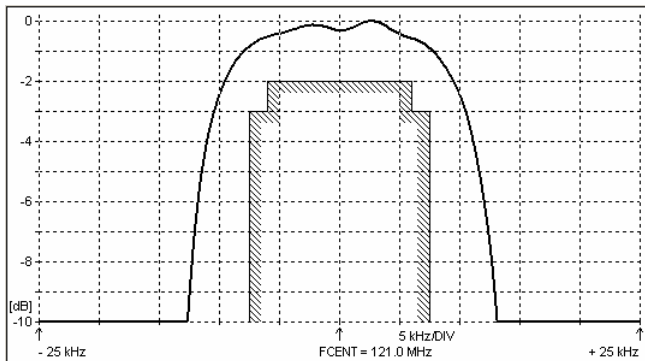
**1. Electric values**

- 1.0 Number of poles : 8 (3 rd overtone)
- 1.1 Nominal centre frequency  $f_{nom}$  : 121.0 MHz
- 1.2 Bandwidth between 3 dB frequencies :  $\geq \pm 7.5$  kHz
- 1.3 Ripple at  $f_{nom} \pm 6.0$  kHz :  $\leq 2.0$  dB
- 1.4 Insertion loss :  $\leq 8.0$  dB
- 1.5 Stop band  $f_{nom} \pm 22.5$  kHz :  $\geq 50$  dB
- $f_{nom} \pm 30$  kHz .....  $\pm 1.0$  MHz :  $\geq 70$  dB (except spurious)
- 1.6 Spurious responses :  $\geq 40$  dB
- 1.7 Terminating impedance ( input and output ) : 50 Ohm // 0 pF
- 1.8 Operating temperature range : -30°C to +80°C
- 1.9 Case : KF 17 (38.4 x 18.2 x 13.0 mm)
- 1.10 Marking on the case :

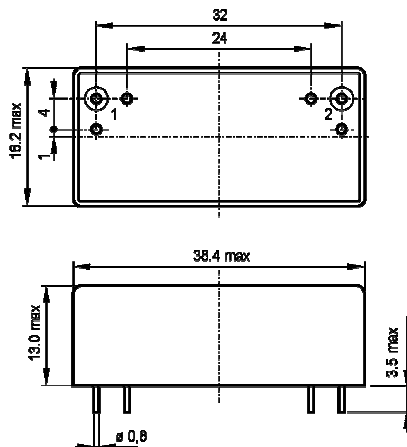
KRYSTALY	YYWW
MCF 121.0-15/08	

YY = year  
WW = week

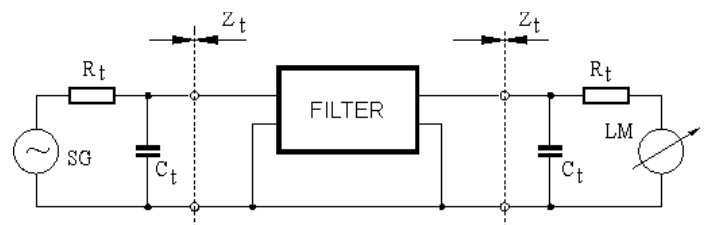
**2. Characteristics MCF 121.0-15/08**



**Dimensions [mm]**  
**Case KF-17**



**Measurement Circuit**



edited	16.12.2013	P. Seidl
--------	------------	----------