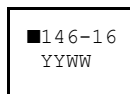


SPECIFICATION FOR CRYSTAL FILTER MCF 146.65-16/S1

Number: 92 312
Drawing: 64 9513

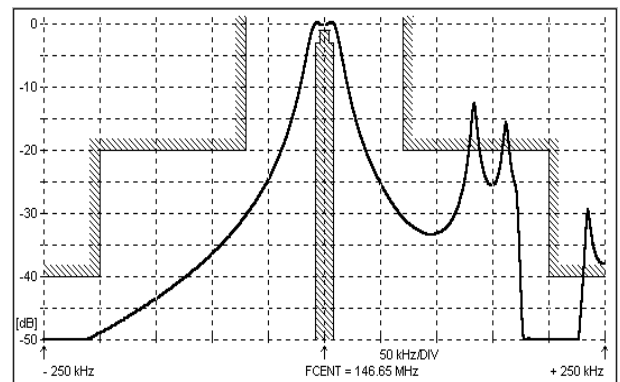
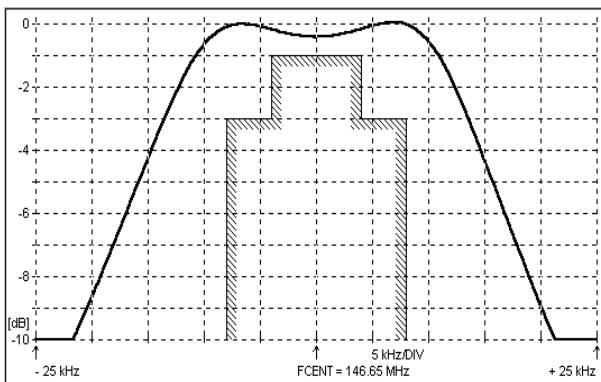
1. Electric values

- 1.0 Number of poles: 2
- 1.1 Nominal center frequency f_{nom}: 146 650 kHz (3. overtone)
- 1.2 Bandwidth between 3 dB frequencies: ≥± 8.0 kHz
- 1.3 Ripple in pass band peak to peak: ≤ 1.0 dB
- 1.4 Insertion loss: ≤ 4.5 dB
- 1.5 Stop band: f_{nom} ± 70 kHz: ≥ 20 dB
f_{nom} ± 200 kHz: ≥ 40 dB (except spurious)
100 MHz ... 146 MHz: ≥ 40 dB
- 1.6 Alternate attenuation: 147 MHz ... 1000 MHz: ≥ 40 dB (except spurious)
- 1.7 Spurious responses: f_{nom} + 85 kHz ... + 925 kHz: ≥ 3 dB
Spurious responses: f_{nom} + 925 kHz ... + 2200 kHz: ≥ 15 dB
- 1.8 Terminating impedance (input and output): 600 Ohm // – 0.3 pF
- 1.9 Maximum input power level (working / non-damaged): –10 dBm
Maximum input power level (for non-damaged max. 10 s): +10 dBm
- 1.10 Operating temperature range: –30°C ... + 85°C
- 1.11 Case: SMD 7 x 5 mm
- 1.12 Taping 3000 pcs. /reel maximum
- 1.13 Marking on the case :

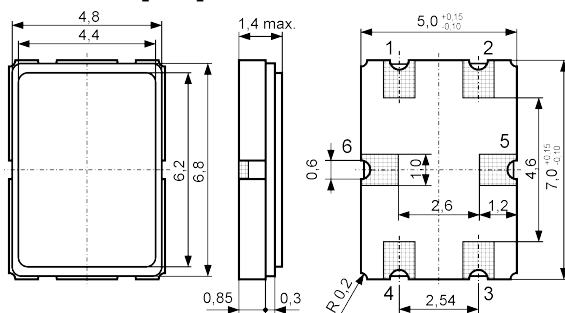


YY - year
WW – week
(or customer's marking)

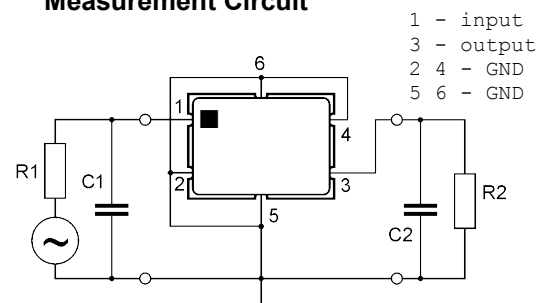
2. Characteristics MCF 146.65-16/S1



Dimensions[mm]



Measurement Circuit



- 1 - input
- 3 - output
- 2 4 - GND
- 5 6 - GND

edited 07.03.2014 P.Jüngling