

# SPECIFICATION FOR CRYSTAL FILTER

## MCF 15.0-2.0/08

Number: 92 674  
Drawing: 61 9580

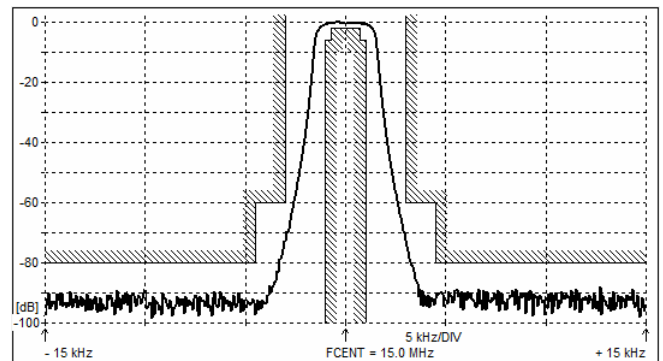
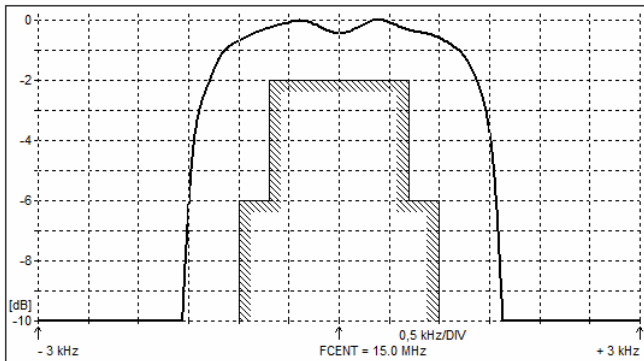
### 1. Electric values

- 1.0 Number of poles : 8
- 1.1 Nominal centre frequency  $f_{nom}$  : 15.0 MHz
- 1.2 Bandwidth between 6 dB frequencies :  $\geq \pm 1.0$  kHz
- 1.3 Ripple at  $f_{nom} \pm 0.7$  kHz :  $\leq 2.0$  dB
- 1.4 Insertion loss :  $\leq 6.0$  dB
- 1.5 Stop band  $f_{nom} \pm 3.0$  kHz :  $\geq 60$  dB  
 $f_{nom} \pm 4.5 \dots \pm 1000$  kHz :  $\geq 80$  dB
- 1.6 Inut power (working / non-damage) : - 10 dBm / +5 dBm
- 1.7 Terminating impedance ( input and output ) : 50 Ohm // 0 pF
- 1.8 Operating temperature range : -20°C to +70°C
- 1.9 Case : KF-17 (38.4 x 18.2 x 13.0 mm)
- 1.10 Marking on the case :

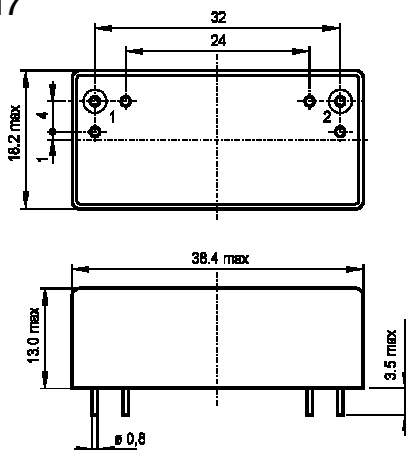
KRYSTALY HK YYWW 15.0-2.0/08
------------------------------------

YY = year  
WW = week

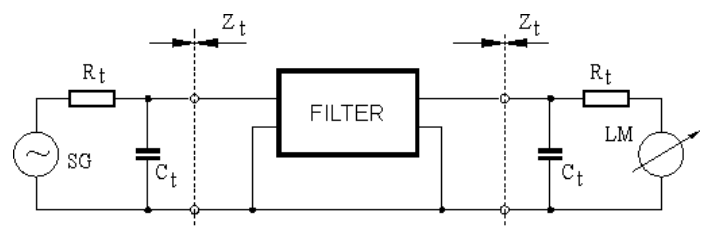
### 2. Characteristics MCF 15.0-2.0/08



### Dimensions [mm] Case KF-17



### Measurement Circuit



edited	26.05.2020	P. Seidl
--------	------------	----------