



SPECIFICATION FOR CRYSTAL FILTER MCF 21.4-6.94/08

Number: 91 841
Drawing: 61 9580

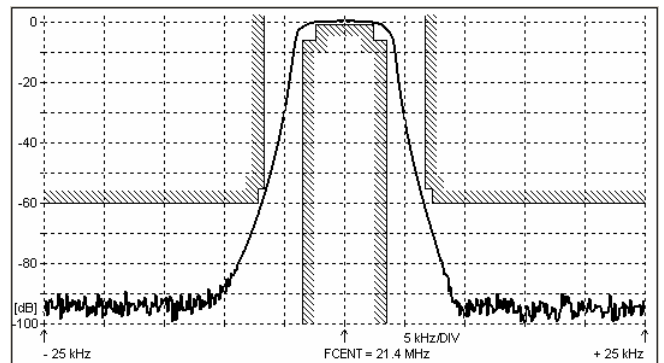
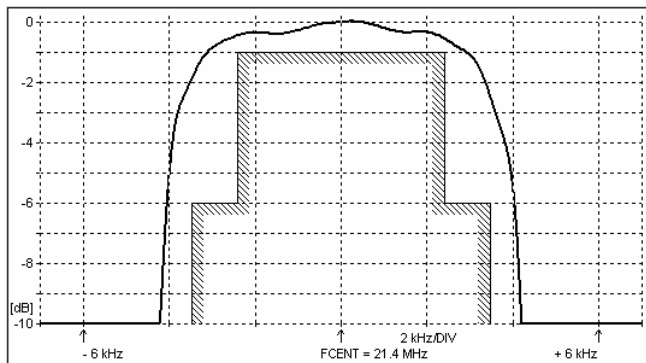
1. Electric values

- 1.0 Number of poles : 8
- 1.1 Nominal centre frequency f_{nom} : 21.4 MHz
- 1.2 Bandwidth between 6 dB frequencies : $\geq \pm 3.47$ kHz
- 1.3 Ripple at $f_{nom} \pm 2.4$ kHz : ≤ 1.0 dB
- 1.4 Insertion loss : ≤ 4.0 dB
- 1.5 Stop band $f_{nom} \pm 6.68$ kHz : ≥ 55 dB
 $f_{nom} \pm 7.25$ kHz : ≥ 60 dB
- 1.6 Ultimate attenuation : ≥ 90 dB
- 1.7 Return loss $f_{nom} \pm 3.465$ kHz : ≥ 8 dB
- 1.8 Terminating impedance (input and output) : 50 Ohm // 0 pF
- 1.9 Operating temperature range : -40°C až +85°C
- 1.10 Case : KF 17 (38.4 x 18.2 x 13.0 mm)
- 1.11 Marking on the case :

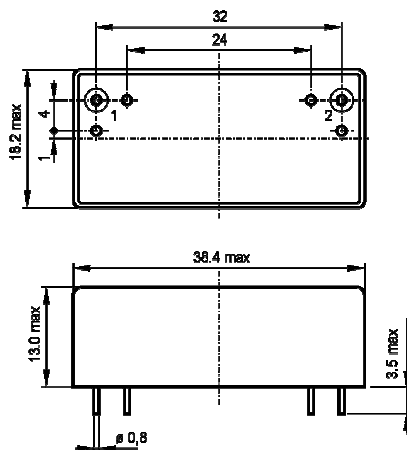
KRYSTALY CZ
YYWW
21.4-6.94/08

YY = year
WW = week

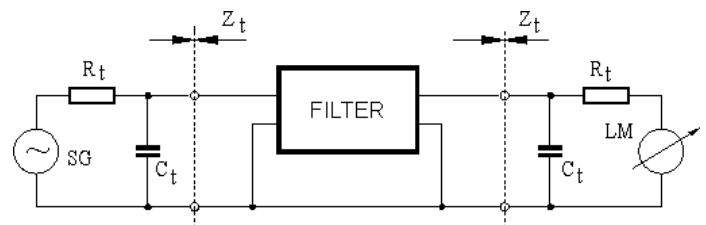
2. Characteristics MCF 21.4-6.94/08



Dimensions [mm] Case KF-17



Measurement Circuit



edited 11.04.2011 P. Seidl