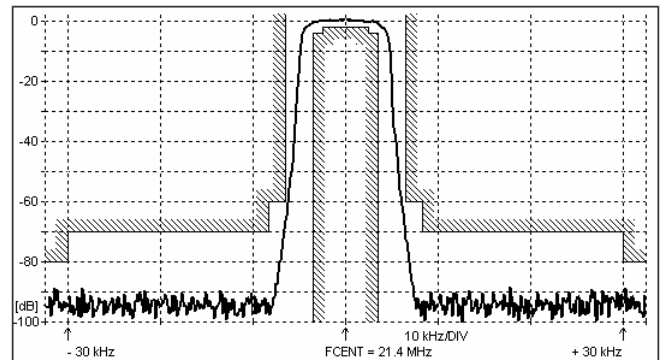
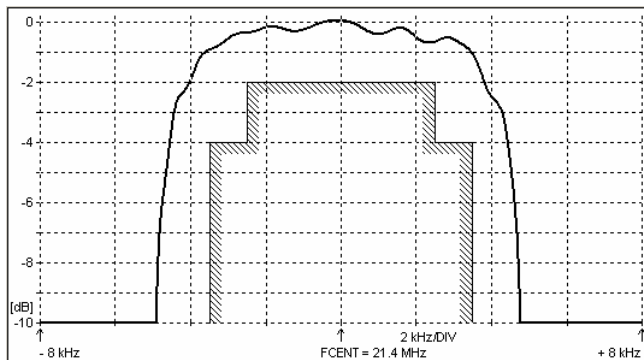
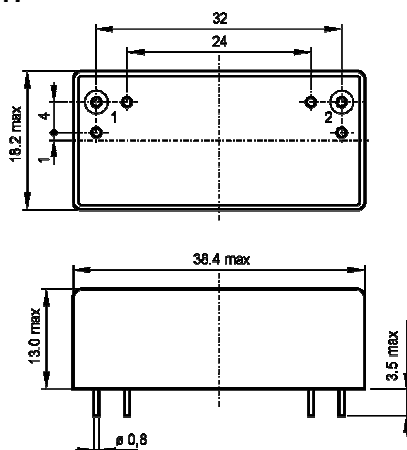
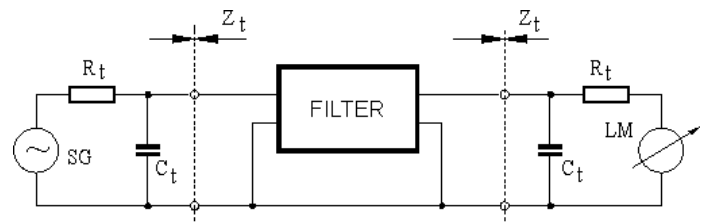


**SPECIFICATION FOR CRYSTAL FILTER**
MCF 21.4-7.0/12Number: 91 926
Drawing: 61 9580**1. Electric values**

1.0 Number of poles :	12
1.1 Nominal centre frequency f_{nom} :	21.4 MHz
1.2 Bandwidth between 4 dB frequencies :	$\geq \pm 3.5$ kHz
1.3 Ripple at $f_{nom} \pm 2.5$ kHz :	≤ 2.0 dB
1.4 Insertion loss :	≤ 4.5 dB
1.5 Stop band $f_{nom} \pm 6.5$ kHz :	≥ 60 dB
$f_{nom} \pm 8.33$ kHz :	≥ 70 dB
$f_{nom} \pm 30 \dots \pm 300$ kHz :	≥ 80 dB
1.6 Terminating impedance (input and output) :	470 Ohm // 15 pF
1.7 Operating temperature range :	-20°C až +70°C
1.8 Case :	KF 17 (38.4 x 18.2 x 13.0 mm)
1.9 Marking on the case :	YY = year WW = week

KRYSTALY CZ YYWW 21.4-7.0/12

2. Characteristics MCF 21.4-7.0/12**Dimensions [mm]**
Case KF-17**Measurement Circuit**

edited	11.04.2011	P. Seidl
--------	------------	----------