

SPECIFICATION FOR CRYSTAL FILTER
MCF 21.4-9.0/08

Number: 92 157
Drawing: 61 9574

1. Electric values

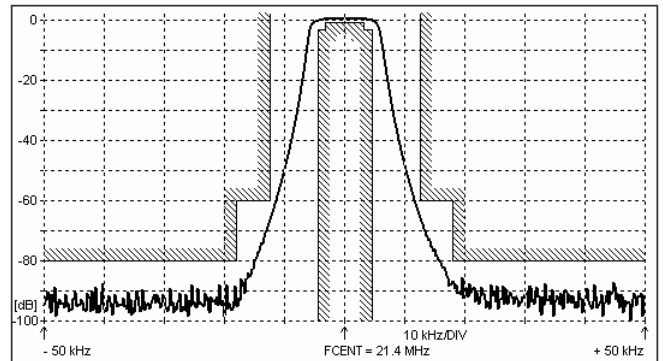
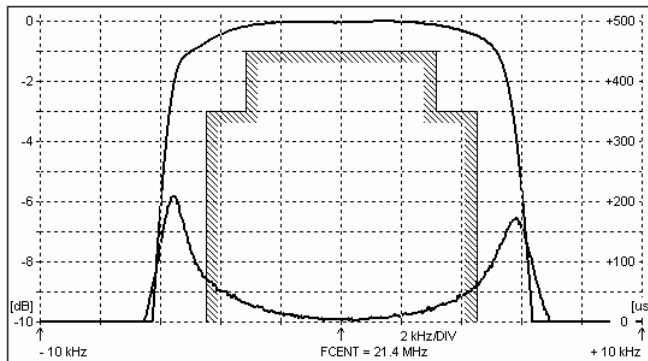
- 1.0 Number of poles : 8
- 1.1 Nominal centre frequency f_{nom} : 21.4 MHz
- 1.2 Bandwidth between 3 dB frequencies : $\geq \pm 4.5$ kHz
- 1.3 Ripple at $f_{nom} \pm 3.15$ kHz : ≤ 1.0 dB
- 1.4 Insertion loss : ≤ 3.0 dB
- 1.5 Group delay distortion $f_{nom} \pm 2.8$ kHz : $\leq 30 \mu s$
 $f_{nom} \pm 1.6$ kHz : $\leq 10 \mu s$
- 1.6 Stop band $f_{nom} \pm 12.5$ kHz : ≥ 60 dB
 $f_{nom} \pm 18 \dots \pm 1000$ kHz : ≥ 80 dB
- 1.7 Terminating impedance (IN / OUT) : 1600 Ohm // 0.5 pF
Coupling capacitances : 10.4 / 12.8 / 10.4 pF
- 1.8 Operating temperature range : -20°C to +70°C
- 1.9 Case : 4 x UM-1
- 1.10 Marking on the case :

MCF 21.4- 9.0/08

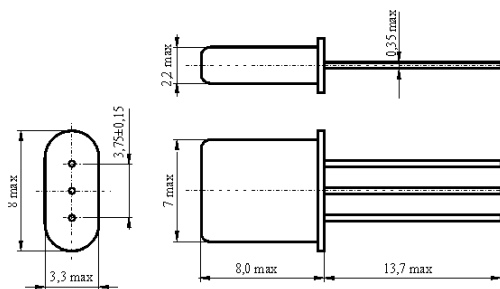
KRYSTALY CZ YYWW

yy = year
ww = week

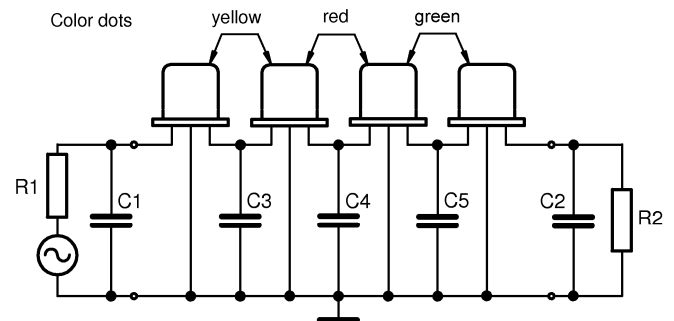
2. Characteristics MCF 21.4-9.0/08



Dimensions [mm]
Case UM-1



Measurement Circuit



edited	06.10.2011	P. Seidl
--------	------------	----------