



**SPECIFICATION FOR CRYSTAL FILTER  
MCF 21.4-15/06**

**Number: 92 190  
Drawing: 61 9579**

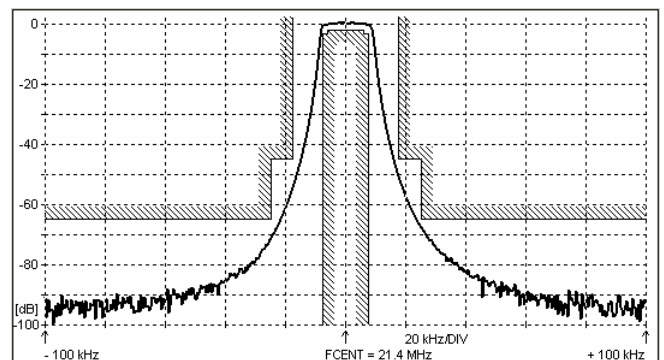
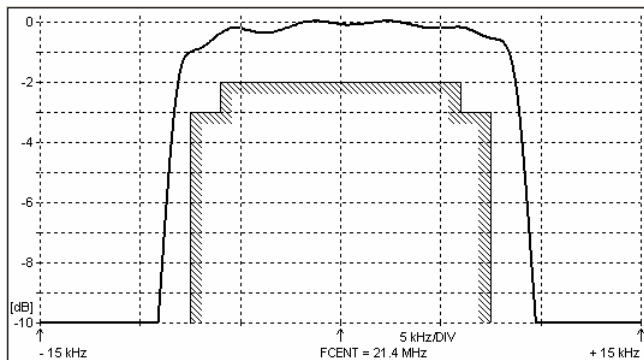
**1. Electric values**

- 1.0 Number of poles : 6
- 1.1 Nominal centre frequency  $f_{nom}$  : 21.4 MHz
- 1.2 Tolerance of centre frequency  $f_c$  :  $f_{nom} \pm 300$  Hz
- 1.3 Bandwidth between 3 dB frequencies :  $\geq \pm 7.5$  kHz
- 1.4 Ripple at  $f_{nom} \pm 6.0$  kHz :  $\leq 2.0$  dB
- 1.5 Insertion loss :  $\leq 3.0$  dB
- 1.6 Stop band:  $f_{nom} \pm 17.5$  kHz :  $\geq 45$  dB  
 $f_{nom} \pm 25 \dots \pm 300$  kHz :  $\geq 65$  dB
- 1.7 Terminating impedance ( input and output ) : 1500 Ohm // 2.0 pF
- 1.8 Operating temperature range : -20°C až +70°C
- 1.9 Case : KV 2.1 (11.2 x 8.7 x 11.5 mm)
- 1.10 Marking on the case :

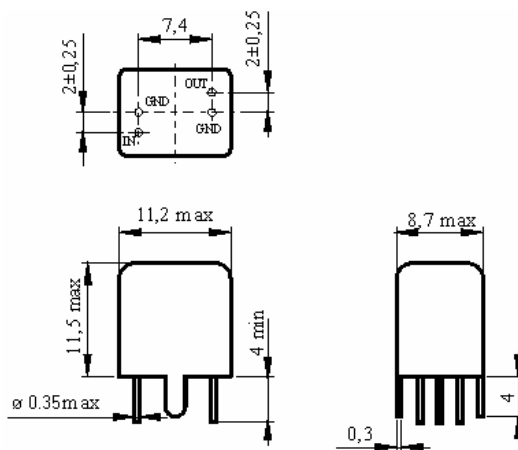
KRYSTALY CZ YYWW 21.4-15/06
-----------------------------------

YY = year  
WW = week

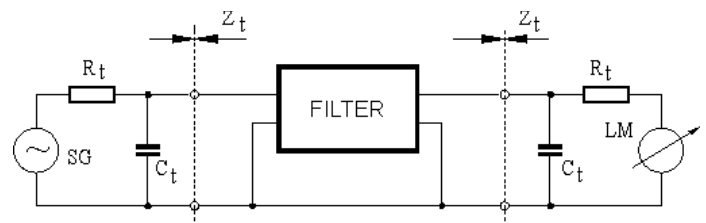
**2. Characteristics MCF 21.4-15/06**



**Dimensions [mm]  
Case KV 2.1**



**Measurement Circuit**



edited	20.01.2011	P. Seidl
--------	------------	----------