



SPECIFICATION FOR CRYSTAL FILTER MCF 21.4-20/10

Number: 91 825
Drawing: 61 9580

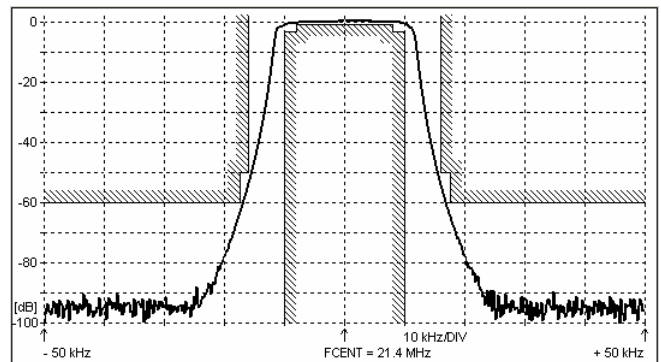
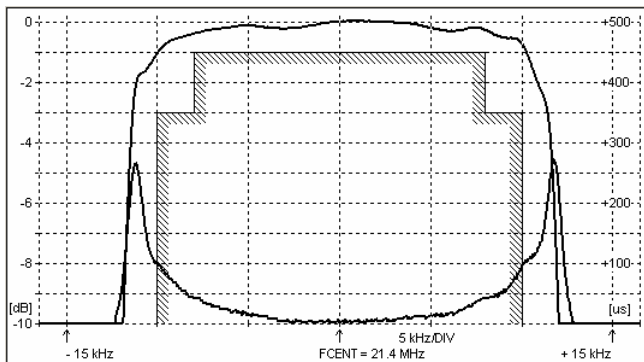
1. Electric values

- 1.0 Number of poles : 10
- 1.1 Nominal centre frequency f_{nom} : 21.4 MHz
- 1.2 Bandwidth between 3 dB frequencies : $\geq \pm 10.05$ kHz
- 1.3 Ripple at $f_{nom} \pm 8.0$ kHz : ≤ 1.0 dB
- 1.4 Insertion loss : ≤ 4.0 dB
- 1.5 Group delay distortion $f_{nom} \pm 8.0$ kHz : ≤ 50 μ s
 $f_{nom} \pm 9.0$ kHz : ≤ 70 μ s
- 1.6 Stop band $f_{nom} \pm 16$ kHz : ≥ 50 dB
 $f_{nom} \pm 17.5$ kHz : ≥ 60 dB
- 1.7 Ultimate attenuation : ≥ 90 dB
- 1.8 Terminating impedance (input and output) : 50 Ohm // 0 pF
- 1.9 Operating temperature range : -40°C až +85°C
- 1.10 Case : KF 17 (38.4 x 18.2 x 13.0 mm)
- 1.11 Marking on the case :

KRYSTALY CZ
YYWW
21.4-20/10

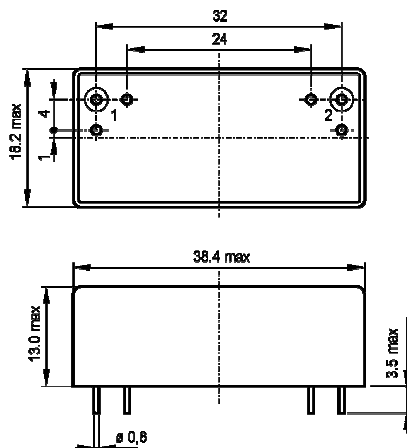
YY = year
WW = week

2. Characteristics MCF 21.4-20/10

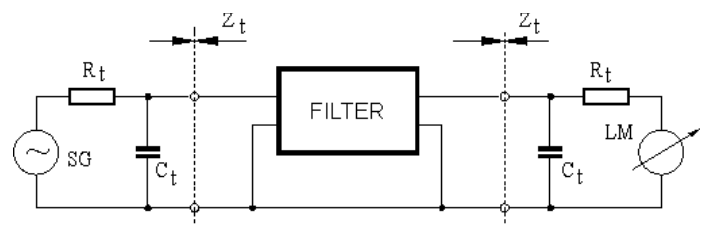


Dimensions [mm]

Case KF-17



Measurement Circuit



edited	11.04.2011	P. Seidl
--------	------------	----------