

SPECIFICATION FOR CRYSTAL FILTER KF 21.4-200/09

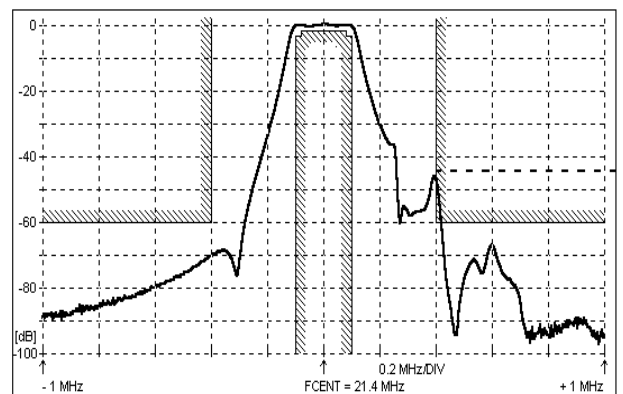
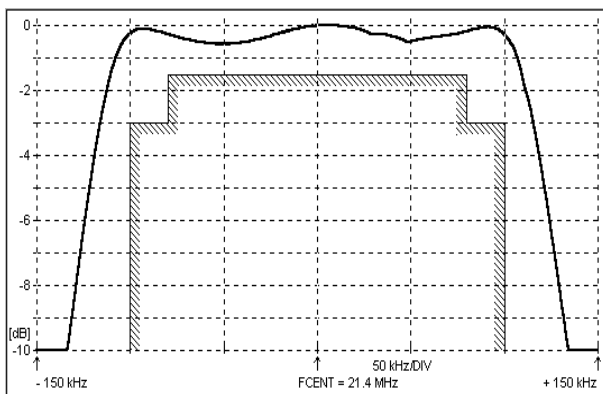
Number: 92 268
Drawing: 61 9580

1. Electric values

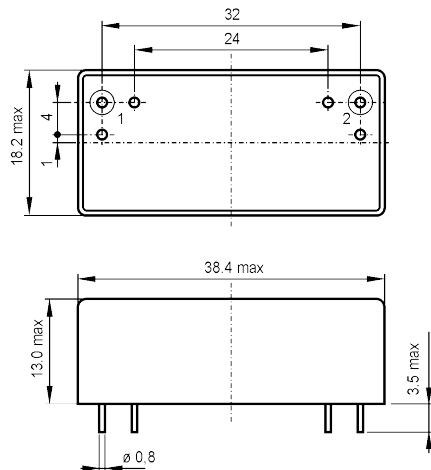
- | | |
|--|---|
| 1.0 Number of poles: | 6 |
| 1.1 Nominal centre frequency f _{nom} : | 21 400 kHz |
| 1.2 Centre frequency f _c : | 21 400 kHz ± 7.5 kHz |
| 1.3 Bandwidth between 3 dB frequencies: | > ± 100 kHz |
| 1.4 Ripple at f _{nom} ± 80 kHz: | ≤ 1.5 dB |
| 1.5 Insertion loss: | ≤ 8.0 dB |
| 1.6 Stop band: f _{nom} ± 400 kHz: | ≥ 60 dB (except spurious) |
| f _{nom} ± 2.5 ... ± 5 MHz: | ≥ 90 dB (except spurious) |
| 1.7 Alternate attenuation: | ≥ 80 dB (except spurious) |
| 1.8 Spurious responses at f _{nom} + 400 kHz + 5 MHz: | > 45 dB |
| 1.9 Terminating impedance (input and output): | 50 Ohm // 0 pF |
| 1.10 Outband intermodulation Frequency 1, 2 : | f _{nom} ± 200 kHz , f _{nom} ± 400 kHz |
| Input power level: | 0 dBm |
| Intermodulation (IP3 > +30 dBm) | > 60 dB down from both 0 dBm tones |
| 1.11 Operating temperature range: | - 30°C až + 70°C |
| 1.12 Case: | KF 17 (38.4 x 18.2 x 13.0 mm) |
| 1.13 Marking on the case : | YY - year |
| | WW – week |
| | (or customer's marking) |

KRYSTALY YYWW
KF 21.4-200/09

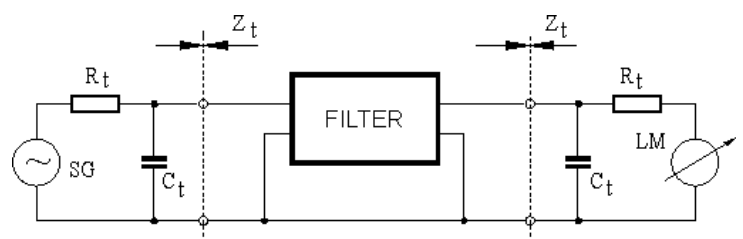
2. Characteristics KF 21.4-200/09



Dimensions[mm]



Measurement Circuit



edited 28.08.2012 P.Jüngling