

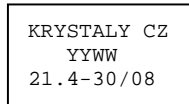


**SPECIFICATION FOR CRYSTAL FILTER**  
**MCF 21.4-30/08**

**Number: 91 853**  
**Drawing: 61 9579**

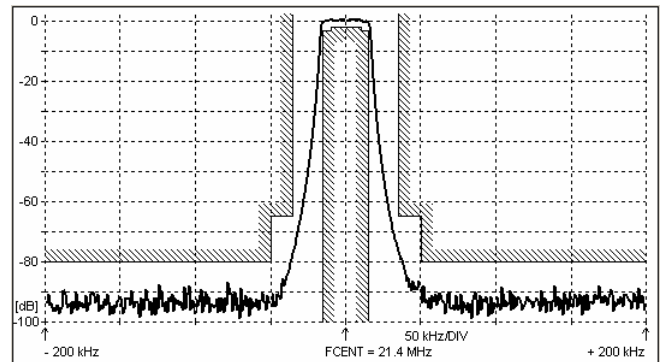
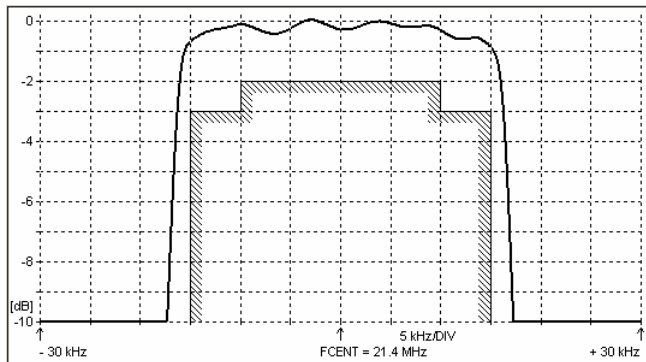
**1. Electric values**

- 1.0 Number of poles : 8
- 1.1 Nominal centre frequency  $f_{nom}$  : 21.4 MHz
- 1.2 Bandwidth between 3 dB frequencies :  $\geq \pm 15$  kHz
- 1.3 Ripple at  $f_{nom} \pm 10.0$  kHz :  $\leq 2.0$  dB
- 1.4 Insertion loss :  $\leq 3.0$  dB
- 1.5 Stop band:  $f_{nom} \pm 35$  kHz :  $\geq 65$  dB  
 $f_{nom} \pm 50$  kHz :  $\geq 80$  dB
- 1.6 Terminating impedance ( input and output ) : 2200 Ohm // 0.5 pF
- 1.7 Operating temperature range : -30°C až +70°C
- 1.8 Case : KV 2.1 (11.2 x 8.7 x 11.5 mm)
- 1.9 Marking on the case :

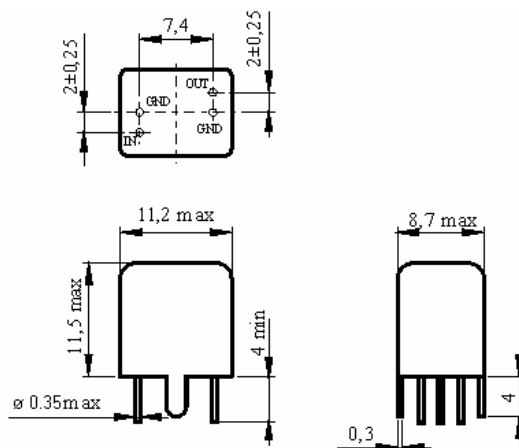


YY = year  
WW = week

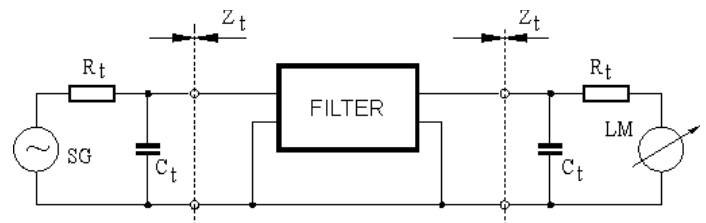
**2. Characteristics MCF 21.4-30/08**



**Dimensions [mm]**  
**Case KV 2.1**



**Measurement Circuit**



edited	15.02.2011	P. Seidl
--------	------------	----------