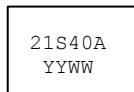


SPECIFICATION FOR CRYSTAL FILTER
MCF 21.4-40/10 (preliminary specification)

Number: 92 060
Drawing: 64 9513

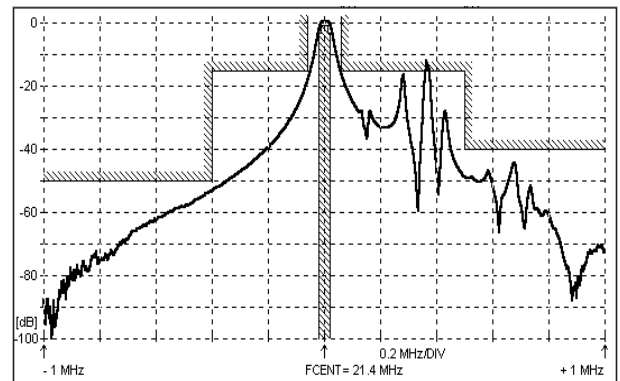
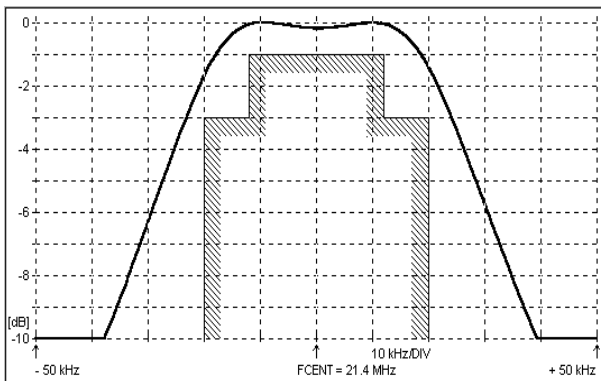
1. Electric values

- 1.0 Number of poles: 2
- 1.1 Nominal centre frequency f_{nom}: 21 400 kHz
- 1.2 Bandwidth between 3 dB frequencies: ≥± 20.0 kHz
- 1.3 Ripple at f_{nom} ± 12 kHz: ≤ 1.0 dB
- 1.4 Insertion loss: ≤ 2.0 dB
- 1.5 Stop band: f_{nom} ± 60 kHz: ≥ 15 dB
f_{nom} - 400 kHz ... -5000 kHz: ≥ 50 dB
f_{nom} + 500 kHz ... +5000 kHz: ≥ 40 dB (except spurious)
- 1.6 Alternate attenuation: ≥ 50 dB (except spurious)
- 1.7 Terminating impedance (input and output): 3200 Ohm // -0.4 pF
- 1.8 Maximum input power level (working / non-damaged): 0 / +15 dBm
- 1.9 Operating temperature range: - 40°C až + 85°C
- 1.10 Case: SMD 7 x 5 mm
- 1.11 Taping 3000 pcs. /reel maximum
- 1.12 Marking on the case :

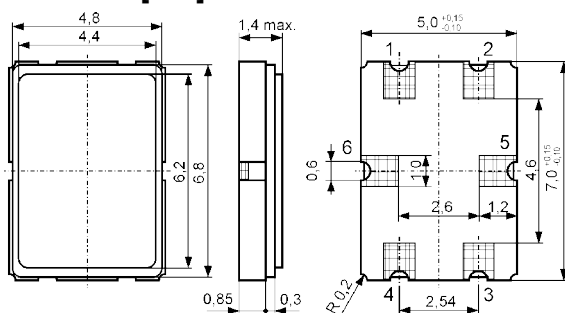


YY - year
WW - week

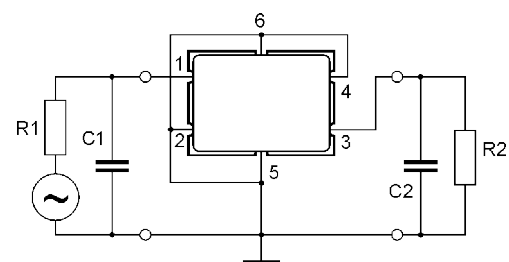
2. Characteristics MCF 21.4-40/10



Dimensions[mm]



Measurement Circuit



edited 18.07.2009 P.Jüngling