



SPECIFICATION FOR CRYSTAL FILTER
MCF 21.4-46/08

Number: 91 887
Drawing: 61 9580

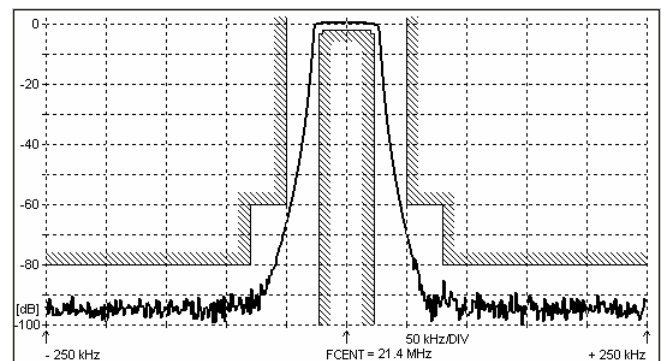
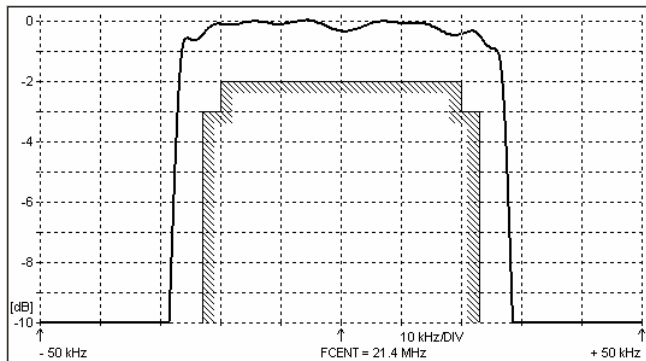
1. Electric values

- 1.0 Number of poles : 8
- 1.1 Nominal centre frequency f_{nom} : 21.4 MHz
- 1.2 Bandwidth between 3 dB frequencies : $\geq \pm 23$ kHz
- between 6 dB frequencies : $\geq \pm 25$ kHz
- 1.3 Ripple at $f_{nom} \pm 20$ kHz : ≤ 2.0 dB
- 1.4 Insertion loss : ≤ 4.0 dB
- 1.5 Stop band $f_{onm} \pm 50$ kHz : ≥ 60 dB
- $f_{nom} \pm 80 \dots \pm 5000$ kHz : ≥ 80 dB
- 1.6 Spurious $f_{nom} + 80 \dots + 5000$ kHz : ≥ 80 dB
- 1.7 Terminating impedance (input and output) : 50 Ohm // 0 pF
- 1.8 Operating temperature range : -40°C až +90°C
- 1.9 Case : KF 17 (38.4 x 18.2 x 13.0 mm)
- 1.10 Marking on the case :

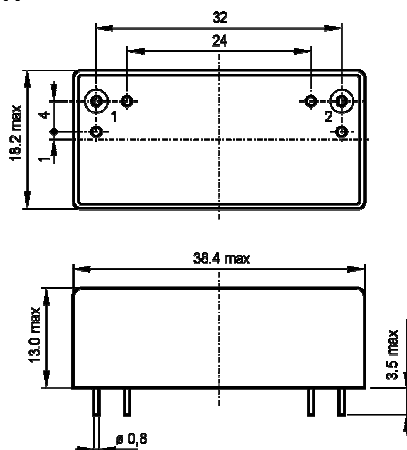
KRYSTALY CZ
YYWW
21.4-46/08

YY = year
WW = week

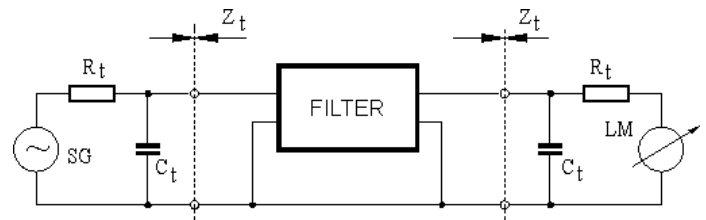
2. Characteristics MCF 21.4-46/08



Dimensions [mm]
Case KF-17



Measurement Circuit



edited 23.06.2011 P. Seidl