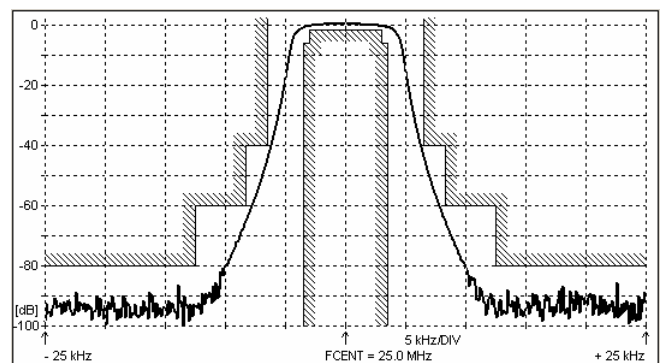
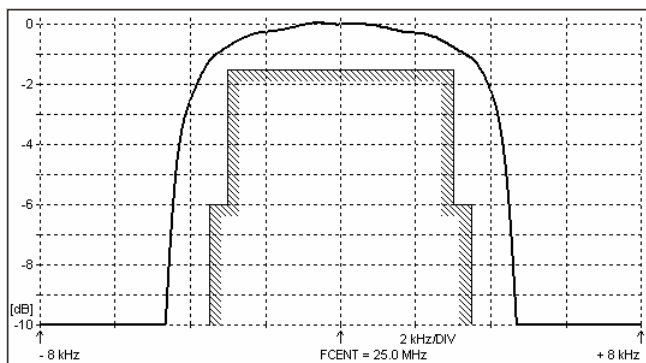
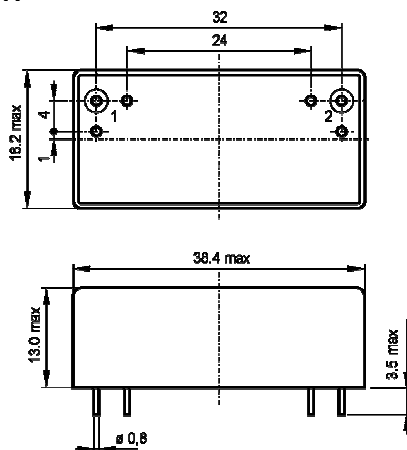
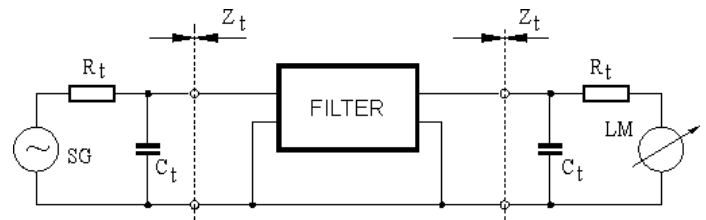


**SPECIFICATION FOR CRYSTAL FILTER**  
**MCF 25.0-7.0/08**Number: 91 890  
Drawing: 61 9580**1. Electric values**

1.0 Number of poles :	8
1.1 Nominal centre frequency $f_{nom}$ :	25.0 MHz
1.2 Bandwidth between 6 dB frequencies :	$\geq \pm 3.5$ kHz
1.3 Ripple at $f_{nom} \pm 3.0$ kHz :	$\leq 1.5$ dB
1.4 Insertion loss :	$\leq 5.0$ dB
1.5 Stop band $f_{nom} \pm 6.5$ kHz :	$\geq 40$ dB
$f_{nom} \pm 8.3$ kHz :	$\geq 60$ dB
$f_{nom} \pm 12.5 \dots \pm 910$ kHz :	$\geq 80$ dB
1.6 Terminating impedance ( input and output ) :	50 Ohm // 0 pF
1.7 Operating temperature range :	-30°C až +80°C
1.8 Case :	KF 17 (38.4 x 18.2 x 13.0 mm)
1.9 Marking on the case :	YY = year WW = week

KRYSTALY CZ YYWW 25.0-7.0/08
------------------------------------

**2. Characteristics MCF 25.0-7.0/08****Dimensions [mm]**  
**Case KF-17****Measurement Circuit**

edited 23.02.2011 P. Seidl