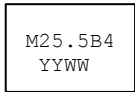


**SPECIFICATION FOR CRYSTAL FILTER**  
**MCF 25.5-10/04** (preliminary specification)

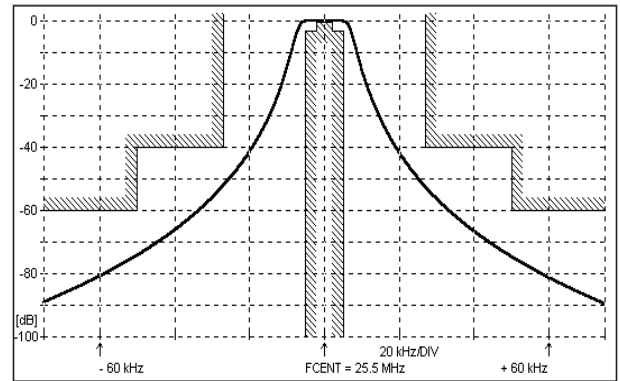
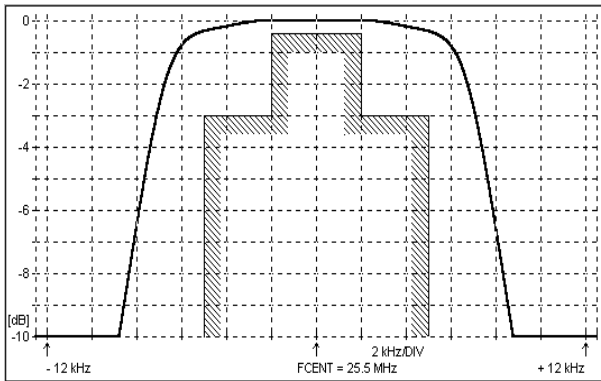
**Number: 92 135**  
**Drawing: 64 9513**

**1. Electric values**

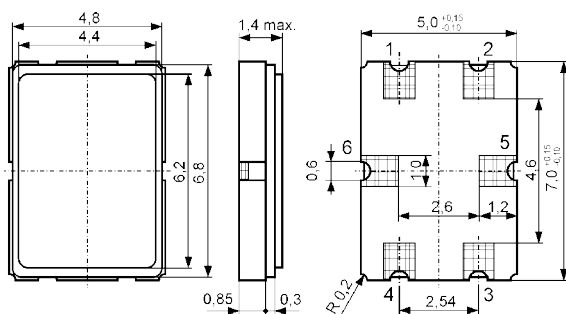
1.0 Number of poles:	4
1.1 Nominal centre frequency f <sub>nom</sub> :	25 500 kHz
1.2 Bandwidth between 3 dB frequencies:	≥ ± 5.0 kHz
1.3 Ripple at f <sub>nom</sub> ± 2.0 kHz:	≤ 0.4 dB
1.4 Group delay distortion ( f <sub>nom</sub> ± 2.0 kHz):	≤ 10 μs
1.5 Insertion loss:	≤ 3.5 dB
1.6 Stop band: f <sub>nom</sub> ± 27 kHz:	≥ 40 dB
f <sub>nom</sub> ± 50 kHz:	≥ 60 dB
1.7 Alternate attenuation:	≥ 70 dB ( except spurious )
1.8 Terminating impedance Input and Output :	1000 Ohm // 3.0 pF ( TBD )
Coupling capacitance:	10.0 pF ( TBD )
1.9 Maximum input power level ( working / non-damaged ):	0 / +15 dBm
1.10 Operating temperature range:	- 40°C až + 85°C
1.11 Case:	SMD 7 x 5 mm
1.12 Taping 3000 pcs. /reel maximum	
1.13 Marking on the case :	YY - year WW – week



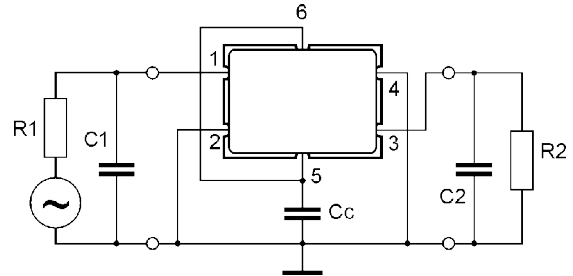
**2. Characteristics MCF 25.5-10/04**



**Dimensions[mm]**



**Measurement Circuit**



Cc: External coupling capacitor is required

edited 23.11.2009 P.Jüngling