

SPECIFICATION FOR CRYSTAL FILTER
MCF 28.0125-22.5/04

Number: 92 196
Drawing: 61 9571

1. Electric values

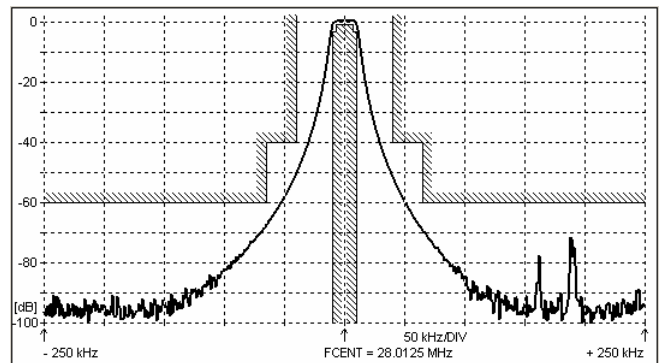
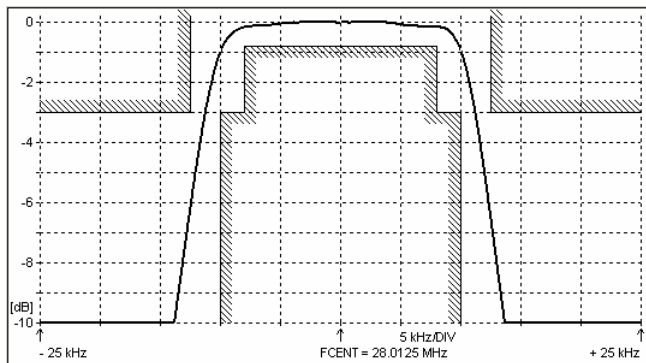
- 1.0 Number of poles : 4
- 1.1 Nominal centre frequency f_{nom} : 28.0125 MHz
- 1.2 Frequency tolerance : ± 1 kHz
- 1.3 Bandwidth between 3 dB frequencies : 22.5 ± 0.6 kHz
- 1.4 Ripple at $f_{nom} \pm 8$ kHz : ≤ 0.8 dB
- 1.5 Insertion loss : ≤ 4.0 dB
- 1.6 Stop band $f_{nom} \pm 40$ kHz : ≥ 40 dB
- $f_{nom} \pm 65 \dots \pm 1000$ kHz : ≥ 60 dB
- 1.7 Spurious : ≥ 60 dB
- 1.8 Terminating impedance (input and output) : 1150 Ohm // 1.8 pF
- Coupling capacitance : 7.0 pF
- 1.9 Operating temperature range : -40°C to $+85^\circ\text{C}$
- 1.10 Case : 2 x UM-5
- 1.11 Marking on the case :

MCF
28.0125
-22.5/04

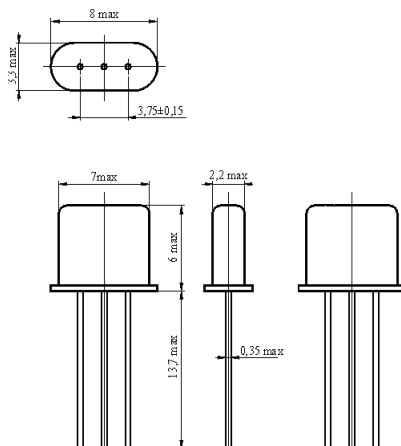
KRYSTALY
CZ
YYWW

YY = year
WW = week

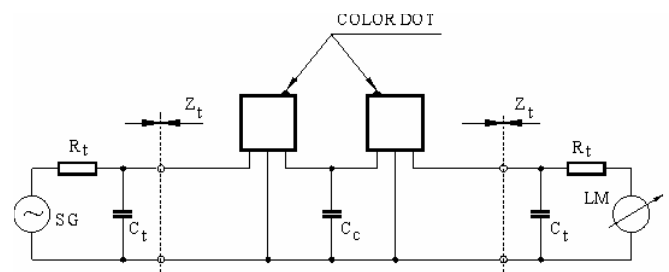
2. Characteristics MCF 28.0125-22.5/04



Dimensions [mm]
Case UM-5



Measurement Circuit



edited	21.03.2012	P. Seidl
--------	------------	----------