

SPECIFICATION FOR CRYSTAL FILTER MCF 30.0-16.8/016

Number: 92 732
Drawing: 61 9580

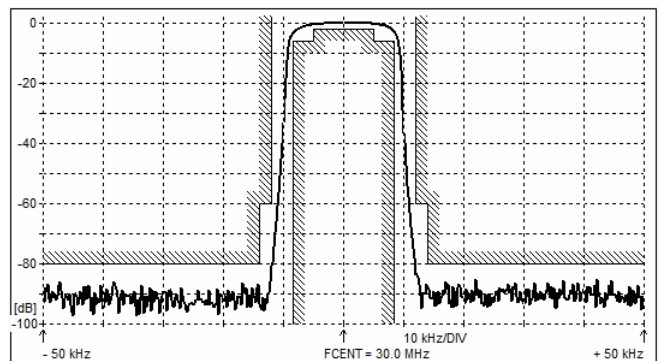
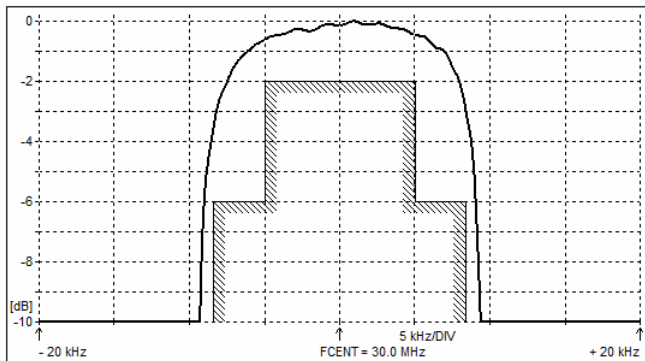
1. Electric values

- 1.0 Number of poles : 16
- 1.1 Nominal center frequency f_{nom} : 30.0 MHz
- 1.2 Bandwidth between 6 dB frequencies : $\geq \pm 8.4$ kHz
- 1.3 Ripple at $f_{nom} \pm 5.0$ kHz : ≤ 2.0 dB
- 1.4 Insertion loss : ≤ 5.0 dB
- 1.5 Group delay distortion within Pass Band : ≤ 400 μ s
- 1.6 Stop band $f_{nom} \pm 12.0$ kHz : ≥ 60 dB
 $f_{nom} \pm 14.0 \dots \pm 5000$ kHz : ≥ 80 dB
- 1.7 Terminating impedance (input and output) : 50 Ohm // 0 pF
- 1.8 Operating temperature range : -20°C to $+70^{\circ}\text{C}$
- 1.9 Case : KF 17 (38.4 x 18.2 x 13.0 mm)
- 1.10 Marking on the case :

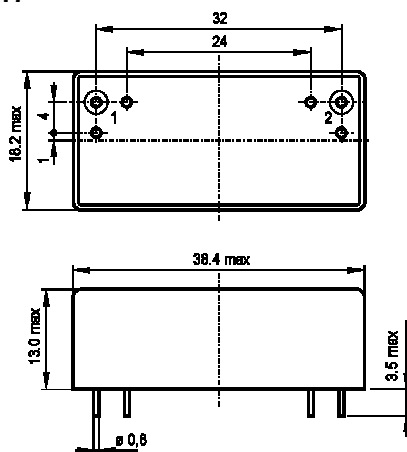
KRYSTALY HK
YYWW
30.0-16.8/016

YY = year
WW = week

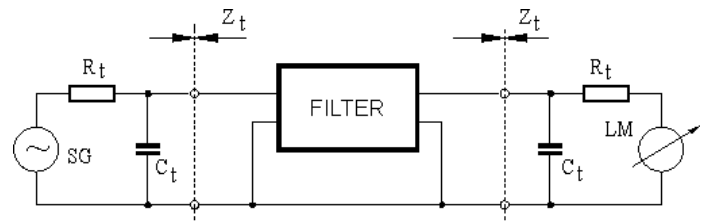
2. Characteristics MCF 30.0-16.8/016



Dimensions [mm] Case KF-17



Measurement Circuit



edited	06.11.2020	P. Seidl
--------	------------	----------