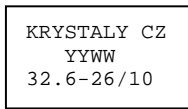


SPECIFICATION FOR CRYSTAL FILTER MCF 32.6-26/10

Number: 91 889
Drawing: 61 9580

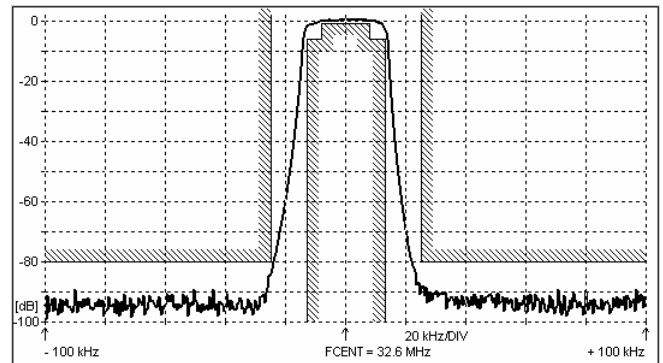
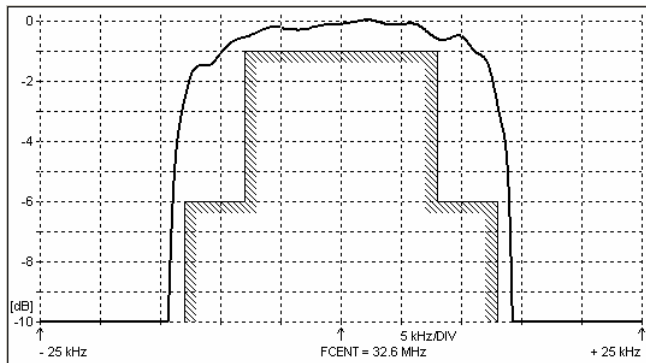
1. Electric values

- 1.0 Number of poles : 10
- 1.1 Nominal centre frequency f_{nom} : 32.6 MHz
- 1.2 Bandwidth between 6 dB frequencies : $\geq \pm 13$ kHz
- 1.3 Ripple at $f_{nom} \pm 8.0$ kHz : ≤ 1.0 dB
- 1.4 Insertion loss : ≤ 5.0 dB
- 1.5 Stop band $f_{nom} \pm 25$ kHz : ≥ 80 dB
 $f_{nom} \pm 25$ kHz ± 910 kHz : ≥ 80 dB
- 1.6 Terminating impedance (input and output) : 50 Ohm // 0 pF
- 1.7 Operating temperature range : -30°C to +80°C
- 1.8 Case : KF 17 (38.4 x 18.2 x 13.0 mm)
- 1.9 Marking on the case :

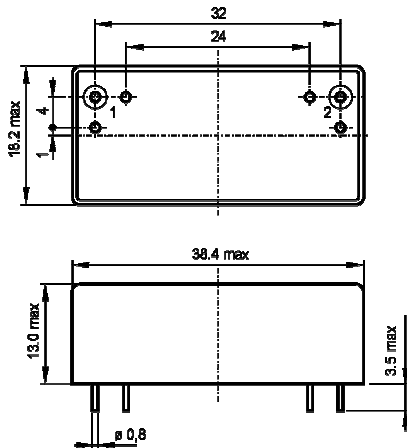


YY = year
WW = week

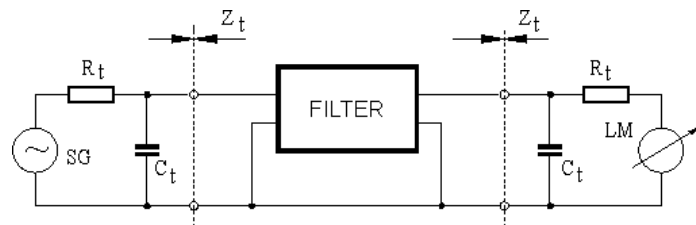
2. Characteristics MCF 32.6-26/10



Dimensions [mm] Case KF-17



Measurement Circuit



edited 01.09.2011 P. Seidl