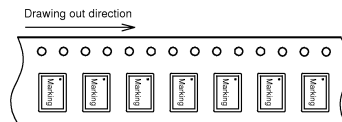


SPECIFICATION FOR CRYSTAL FILTER
MCF 35.25-12/S2

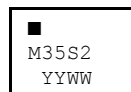
Number: 92 324
Drawing: 64 9513

1. Electric values

- | | |
|---|--------------------------------|
| 1.0 Number of poles: | 4 |
| 1.1 Nominal centre frequency f _{nom} : | 35 250 kHz (fundamental mode) |
| 1.2 Bandwidth between 3 dB frequencies: | ≥ ± 6.0 kHz |
| 1.3 Ripple at f _{nom} ± 2.5 kHz: | ≤ 1.0 dB |
| 1.4 Group delay distortion (f _{nom} ± 5.0 kHz): | ≤ 35 μs |
| 1.5 Insertion loss: | ≤ 4.5 dB |
| 1.6 Stop band: f _{nom} ± 24 kHz: | ≥ 35 dB |
| f _{nom} ± 46 kHz: | ≥ 60 dB |
| 1.7 Alternate attenuation: f _{nom} ± 910 kHz: | ≥ 65 dB (except spurious) |
| 1.8 Terminating impedance Input and Output : | 1100 Ohm // +1.7 pF |
| Coupling capacitance: | + 5.0 pF |
| 1.9 Maximum input power level (working / non-damaged): | 0 / +10 dBm |
| 1.10 Operating temperature range: | - 40°C ... + 85°C |
| 1.11 Case: | SMD 7 x 5 mm |
| 1.12 Taping 1000 pcs. /reel maximum | |



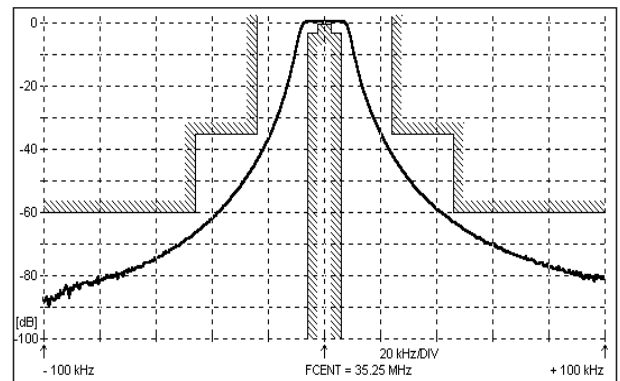
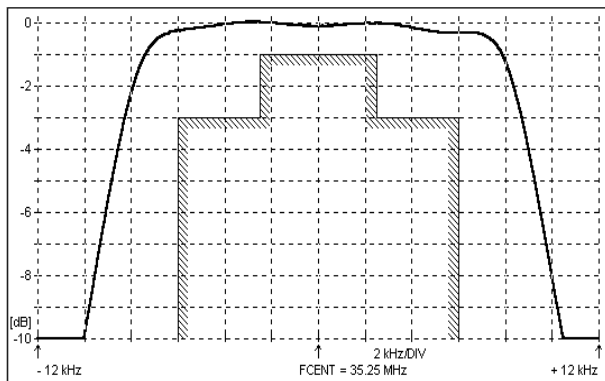
1.13 Marking on the case :



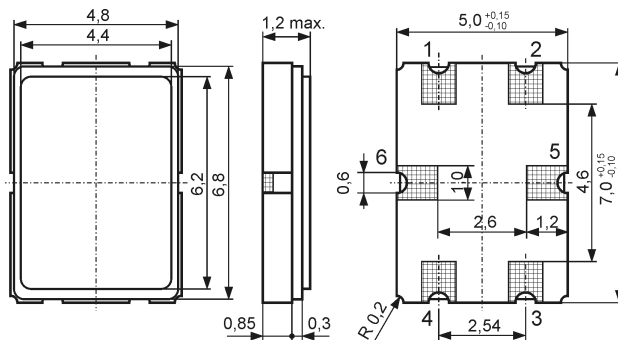
YY - year
 WW - week

(or customer's marking)

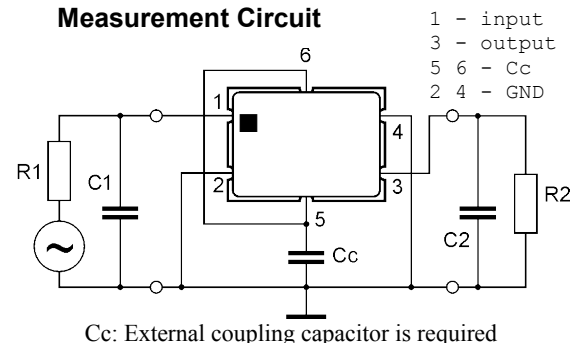
2. Characteristics MCF 35.25-12/S2



Dimensions[mm]



Measurement Circuit



- 1 - input
- 3 - output
- 5 6 - Cc
- 2 4 - GND

Cc: External coupling capacitor is required

edited	15.05.2014	P.Jungling
--------	------------	------------