



SPECIFICATION FOR CRYSTAL FILTER
MCF 35.25-40/04 (preliminary specification)

Number: 92 137
Drawing: 64 9513

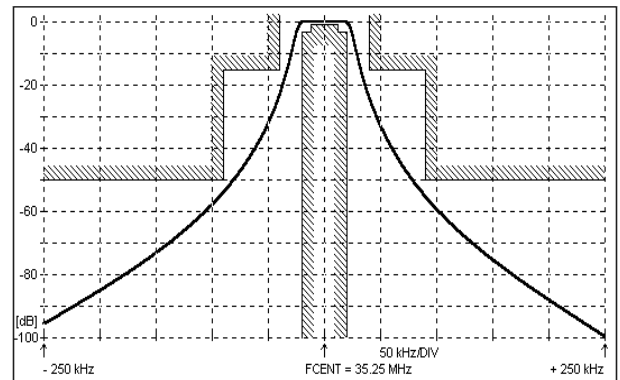
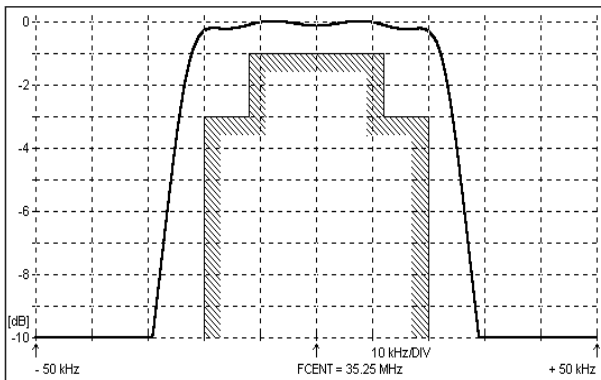
1. Electric values

- 1.0 Number of poles: 4
- 1.1 Nominal centre frequency from: 35 250 kHz
- 1.2 Bandwidth between 3 dB frequencies: $\geq \pm 20.0$ kHz
- 1.3 Ripple at from ± 12 kHz: ≤ 1.0 dB
- 1.4 Insertion loss: ≤ 4.0 dB
- 1.5 Stop band: from ± 40 kHz: ≥ 15 dB
from ± 55 kHz: ≥ 30 dB
from ± 90 kHz: ≥ 50 dB
- 1.6 Alternate attenuation: ≥ 65 dB (except spurious)
- 1.7 Terminating impedance Input and Output : 4200 Ohm // -0.6 pF (TBD)
Coupling capacitance: 0.2 pF (TBD)
- 1.8 Maximum input power level (working / non-damaged): 0 / +10 dBm
- 1.9 Operating temperature range: -40°C až +85°C
- 1.10 Case: SMD 7 x 5 mm
- 1.11 Taping 3000 pcs. /reel maximum
- 1.12 Marking on the case :

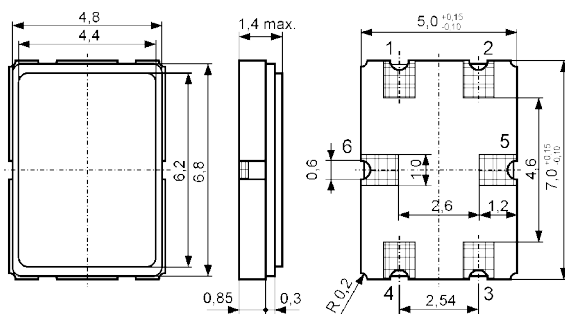
M35.25B4 YYWW

YY - year
WW - week

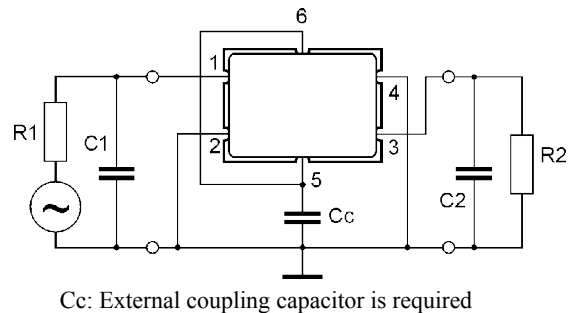
2. Characteristics MCF 35.25-40/04



Dimensions[mm]



Measurement Circuit



Cc: External coupling capacitor is required

edited	23.11.2009	P.Jüngling
--------	------------	------------