



SPECIFICATION FOR CRYSTAL FILTER MCF 35.4-26/10

Number: 92 055
Drawing: 61 9580

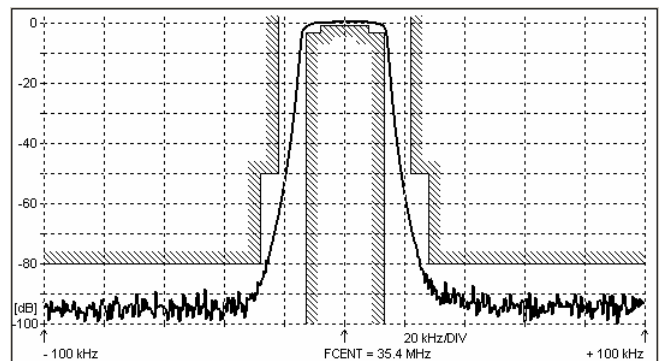
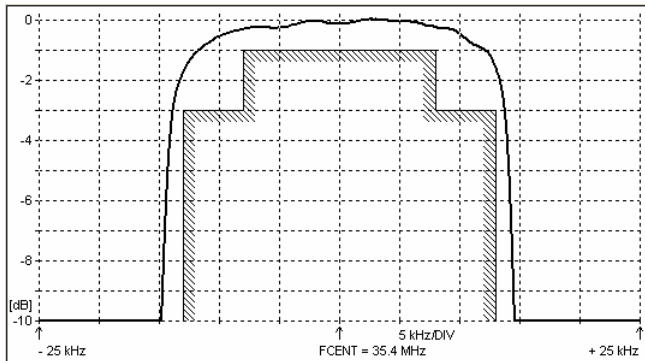
1. Electric values

- 1.0 Number of poles : 10
- 1.1 Nominal centre frequency f_{nom} : 35.4 MHz
- 1.2 Centre frequency f_c (at 25 °C) : 35.4 MHz \pm 800 Hz
- 1.3 Bandwidth between 3 dB frequencies : $\geq \pm$ 13 kHz
- 1.4 Ripple at $f_{nom} \pm 8.0$ kHz : \leq 1.0 dB
- 1.5 Insertion loss : \leq 5.0 dB
- 1.6 Stop band $f_{nom} \pm 22$ kHz : \geq 50 dB
 $f_{nom} \pm 28$ kHz : \geq 80 dB
- 1.7 Alternate attenuation : \geq 80 dB (except spurious)
- 1.8 Terminating impedance (input and output) : 50 Ohm // 0 pF
- 1.9 Operating temperature range : -40°C až +65°C
- 1.10 Case : KF 17 (38.4 x 18.2 x 13.0 mm)
- 1.11 Marking on the case :

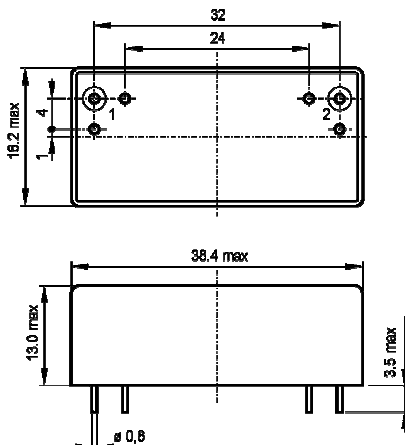
KRYSTALY CZ
YYWW
35.4-26/10

YY = year
WW = week

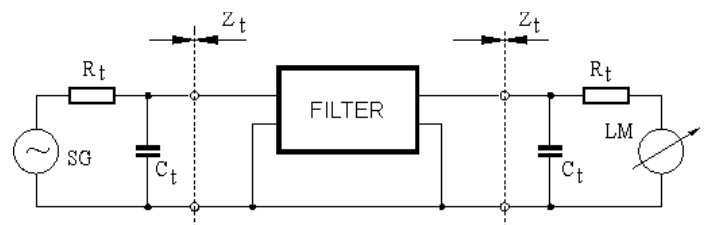
2. Characteristics MCF 35.4-26/10



Dimensions [mm] Case KF-17



Measurement Circuit



edited	22.02.2011	P. Seidl
--------	------------	----------