

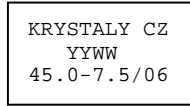


SPECIFICATION FOR CRYSTAL FILTER
MCF 45.0-7.5/06

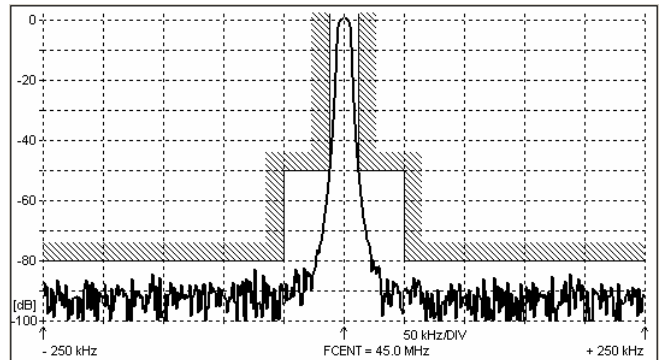
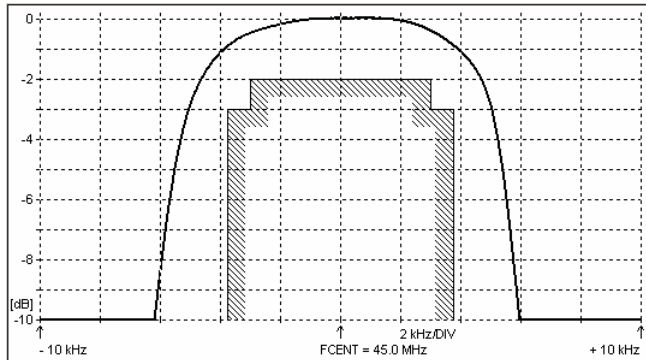
Number: 92 151
Drawing: 61 9579

1. Electric values

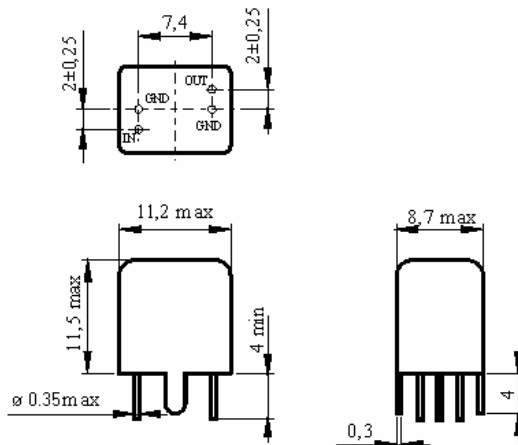
1.0 Number of poles :	6
1.1 Nominal centre frequency from :	45 000 kHz
1.2 Bandwidth between 3 dB frequencies :	$\geq \pm 3.75$ kHz
1.3 Ripple at from ± 3.0 kHz :	≤ 2.0 dB
1.4 Insertion loss :	≤ 6.0 dB
1.5 Stop band: $f_{nom} \pm 12.5$ kHz :	≥ 50 dB
$f_{nom} \pm 50 \dots \pm 910$ kHz :	≥ 80 dB (except spurious)
1.6 Terminating impedance (input and output) :	350 Ohm // 5.0 pF
1.7 Operating temperature range :	-25°C až +70°C
1.8 Case :	KV 2.1 (11.2 x 8.7 x 11.5 mm)
1.9 Marking on the case :	YY = year WW = week



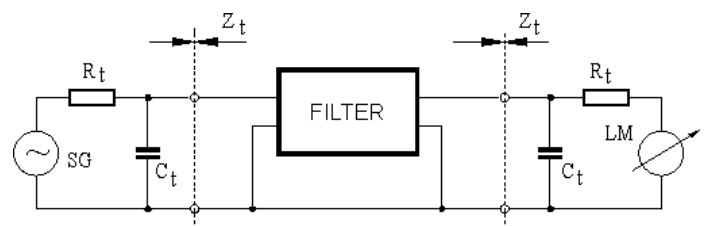
2. Characteristics MCF 45.0-7.5/06



Dimensions [mm]
Case KV 2.1



Measurement Circuit



edited 17.03.2010 P. Seidl