

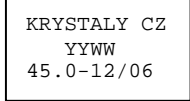


# SPECIFICATION FOR CRYSTAL FILTER MCF 45.0-12/06

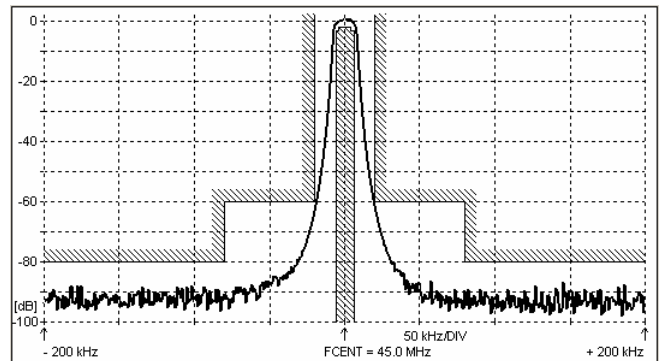
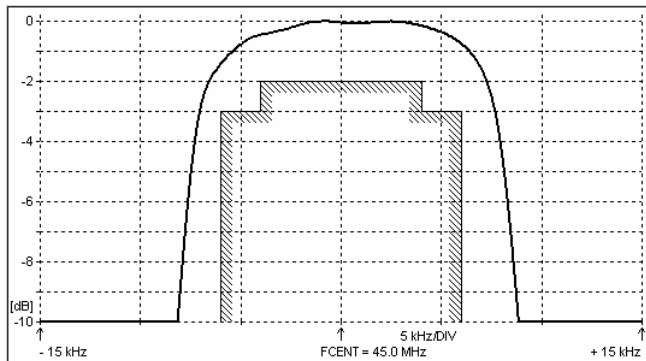
Number: 92 295  
Drawing: 61 9579

## 1. Electric values

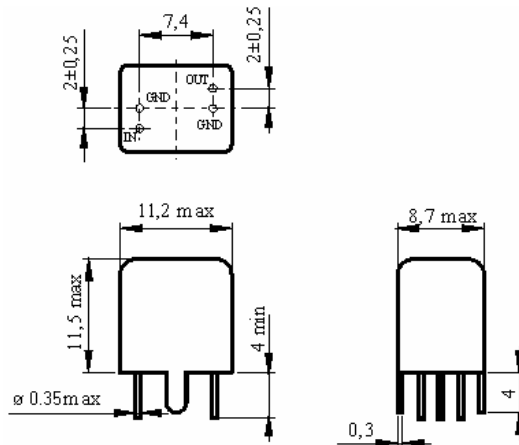
1.0 Number of poles :	6
1.1 Nominal centre frequency $f_{nom}$ :	45.0 MHz
1.2 Bandwidth between 3 dB frequencies :	$\geq \pm 6.0$ kHz
1.3 Ripple at $f_{nom} \pm 4.0$ kHz :	$\leq 2.0$ dB
1.4 Insertion loss :	$\leq 4.0$ dB
1.5 Stop band: $f_{nom} \pm 20$ kHz :	$\geq 60$ dB
$f_{nom} \pm 80 \dots \pm 910$ kHz :	$\geq 80$ dB (except spurious)
1.6 Terminating impedance ( input and output ) :	500 Ohm // 4.5 pF
1.7 Operating temperature range :	-20°C to +70°C
1.8 Case :	KV 2.1 (11.2 x 8.7 x 11.5 mm)
1.9 Marking on the case :	YY = year WW = week



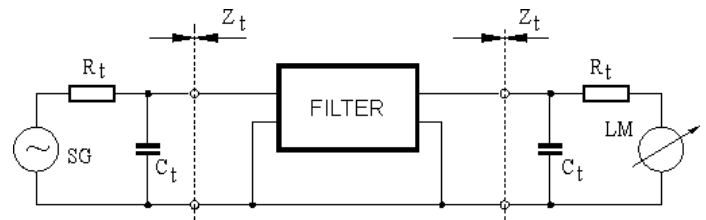
## 2. Characteristics MCF 45.0-12/06



## Dimensions [mm] Case KV 2.1



## Measurement Circuit



edited 11.10.2013 P. Seidl