



SPECIFICATION FOR CRYSTAL FILTER MCF 45.0-15/06

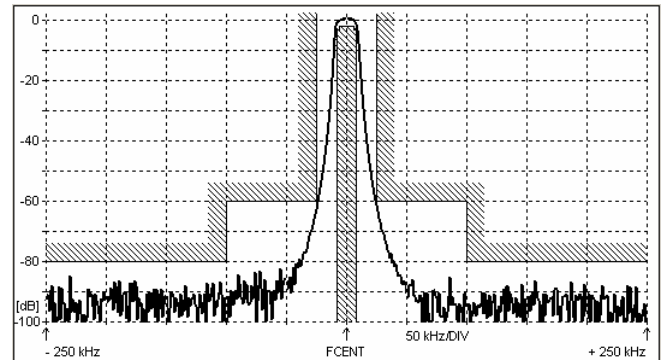
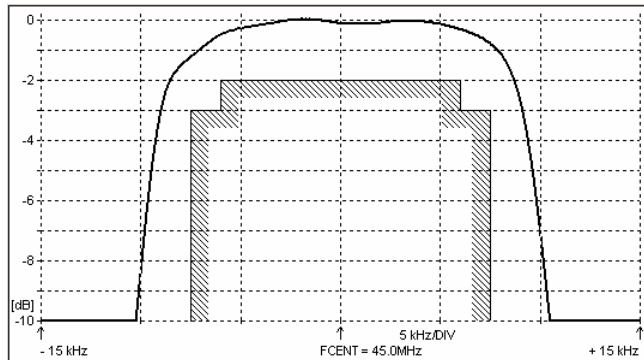
Number: 92 150
Drawing: 61 9579

1. Electric values

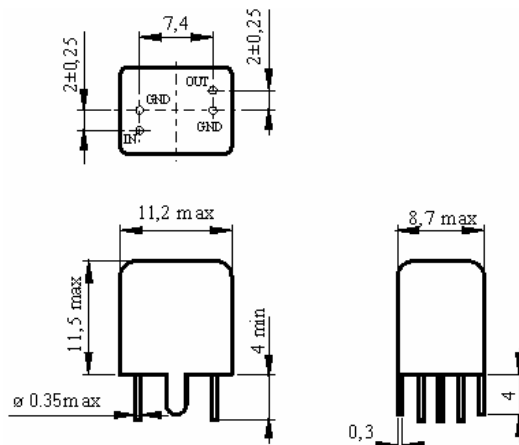
| | |
|--------------------------------------------------|--------------------------------|
| 1.0 Number of poles : | 6 |
| 1.1 Nominal centre frequency from : | 45 000 kHz |
| 1.2 Bandwidth between 3 dB frequencies : | $\geq \pm 7.5$ kHz |
| 1.3 Ripple at from ± 6.0 kHz : | ≤ 2.0 dB |
| 1.4 Insertion loss : | ≤ 5.0 dB |
| 1.5 Stop band: $f_{nom} \pm 25$ kHz : | ≥ 60 dB |
| $f_{nom} \pm 100 \dots \pm 910$ kHz : | ≥ 80 dB (except spurious) |
| 1.6 Terminating impedance (input and output) : | 650 Ohm // 3.0 pF |
| 1.7 Operating temperature range : | -25°C až +70°C |
| 1.8 Case : | KV 2.1 (11.2 x 8.7 x 11.5 mm) |
| 1.9 Marking on the case : | YY = year WW = week |

KRYSTALY CZ
YYWW
45.0-15/06

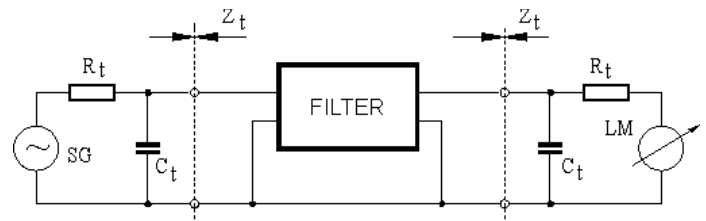
2. Characteristics MCF 45.0-15/06



Dimensions [mm] Case KV 2.1



Measurement Circuit



edited | 17.03.2010 | P. Seidl