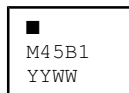


SPECIFICATION FOR CRYSTAL FILTER MCF 45.0-20/S1

Number: 92 252
Drawing: 64 9513

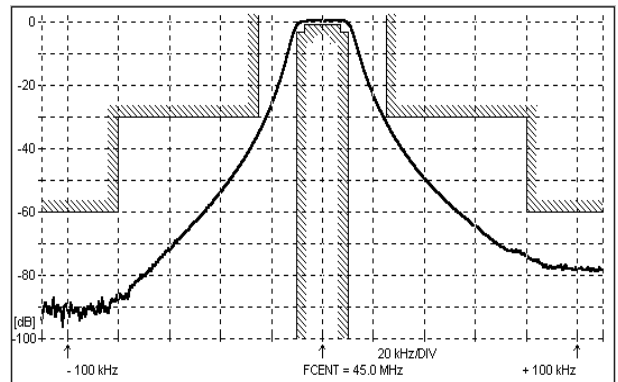
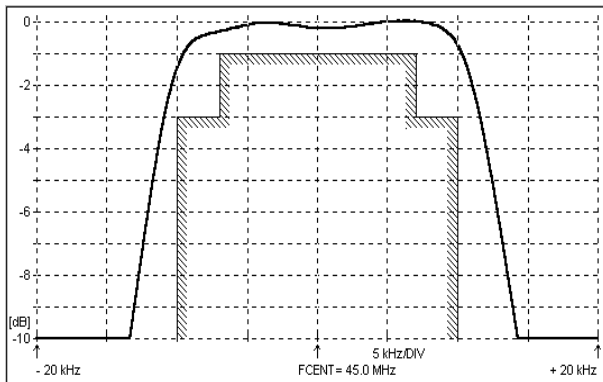
1. Electric values

- 1.0 Number of poles: 4
- 1.1 Nominal center frequency f_{nom}: 45 000 kHz (fundamental mode)
- 1.2 Bandwidth between 3 dB frequencies: ≥± 10 kHz
- 1.3 Ripple at f_{nom} ± 7 kHz: ≤ 1.0 dB
- 1.4 Insertion loss: ≤ 3.0 dB
- 1.5 Stop band: f_{nom} ± 25 kHz: ≥ 30 dB
f_{nom} ± 80 kHz: ≥ 60 dB
- 1.6 Spurious responses: f_{nom} + 100 kHz ... + 5000 kHz: ≥ 30 dB
- 1.7 Alternate attenuation: f_{nom} ± 900 kHz ... ± 920 MHz: ≥ 75 dB (except spurious)
- 1.8 Terminating impedance Input and Output : 950 Ohm // +1.8 pF
Coupling capacitance: +6.3 pF
- 1.9 Maximum input power level (working / non-damaged): -5 / +5 dBm
- 1.10 Operating temperature range: - 40°C až + 85°C
- 1.11 Case: SMD 7 x 5 mm
- 1.12 Taping 3000 pcs. /reel maximum
- 1.13 Marking on the case :

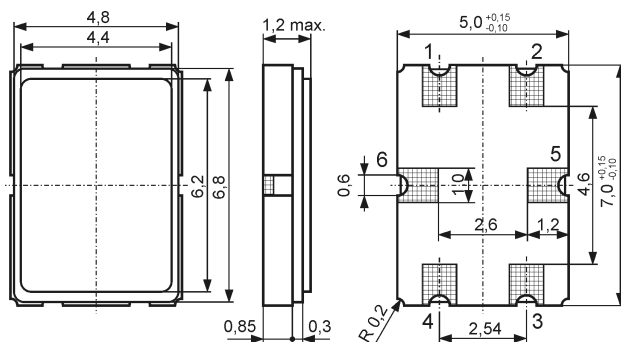


YY - year
WW – week

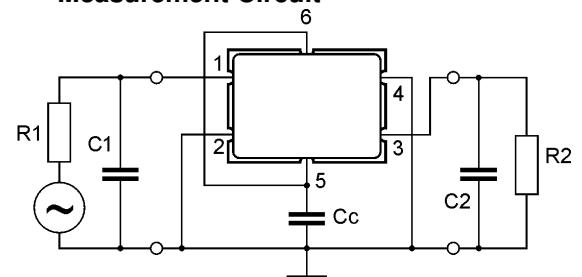
2. Characteristics MCF 45.0-20/04



Dimensions[mm]



Measurement Circuit



Cc: External coupling capacitor is required

edited 17.08.2012 P.Jungling