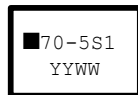


SPECIFICATION FOR CRYSTAL FILTER
MCF 70.0-5.0/09 (preliminary specification)

Number: 92 230
Drawing: 64 9513

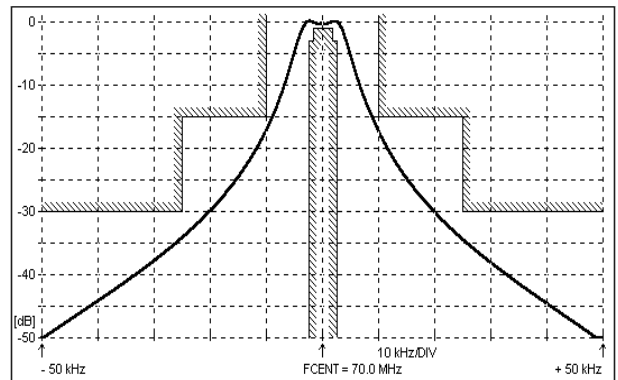
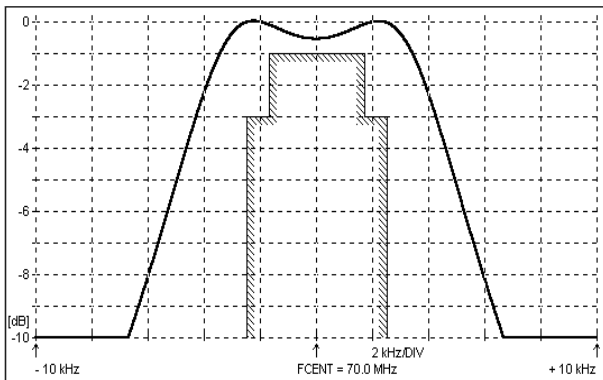
1. Electric values

- | | |
|--|-----------------------------|
| 1.0 Number of poles: | 2 |
| 1.1 Nominal centre frequency f _{nom} : | 70 000 kHz |
| 1.2 Bandwidth between 3 dB frequencies: | ≥ ± 2.5 kHz |
| 1.3 Ripple at f _{nom} ± 1.7 kHz: | ≤ 1.0 dB |
| 1.4 Insertion loss: | ≤ 5.0 dB |
| 1.5 Stop band: f _{nom} ± 10 kHz: | ≥ 15 dB |
| f _{nom} ± 25 kHz: | ≥ 30 dB |
| f _{nom} - 910 kHz ... -5000 kHz: | ≥ 50 dB |
| 1.6 Alternate attenuation: | ≥ 50 dB (except spurious) |
| 1.7 Spurious responses: f _{nom} + 100 kHz ... + 1000 kHz: | ≥ 10 dB |
| 1.8 Terminating impedance (input and output): | 1000 Ohm // 0 pF |
| 1.9 Maximum input power level (working / non-damaged): | -5 / +10 dBm |
| 1.10 Operating temperature range: | 20°C ... + 70°C |
| 1.11 Case: | SMD 7 x 5 mm |
| 1.12 Taping 3000 pcs. /reel maximum | |
| 1.13 Marking on the case : | |

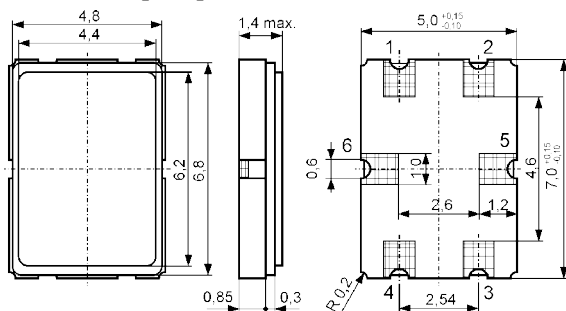


YY - year
 WW - week
 (or customer's marking)

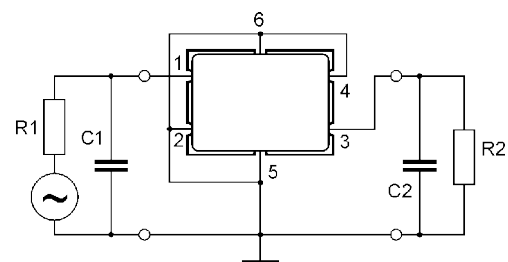
2. Characteristics MCF 70.0-5.0/09



Dimensions[mm]



Measurement Circuit



edited	27.09.2011	P.Jüngling
--------	------------	------------