

SPECIFICATION FOR CRYSTAL FILTER MCF 70.0-6.6/06

Number: 92 054
Drawing: 61 9580

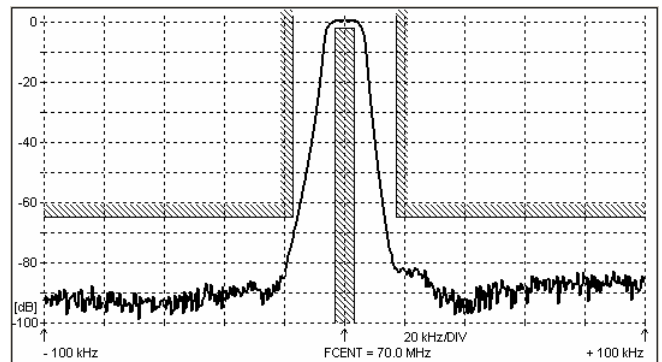
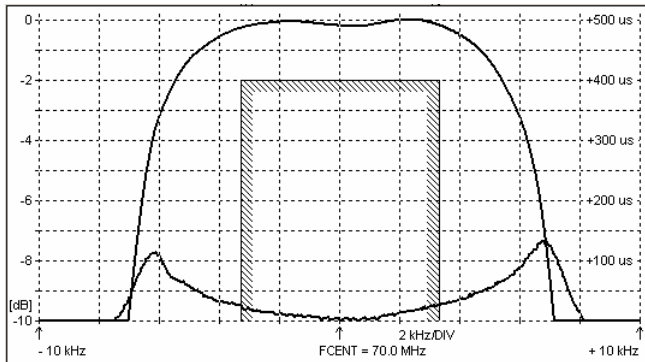
1. Electric values

- 1.0 Number of poles : 6 (3 rd overtone)
- 1.1 Nominal centre frequency f_{nom} : 70.0 MHz
- 1.2 Bandwidth between 2 dB frequencies : $\geq \pm 3.3$ kHz
- 1.3 Ripple at $f_{nom} \pm 3.3$ kHz : ≤ 2.0 dB
- 1.4 Insertion loss : ≤ 5.0 dB
- 1.5 Group delay distortion at 20°C and $f_{nom} \pm 3.3$ kHz : ≤ 80 μ s
- 1.6 Stop band $f_{nom} \pm 17.3$ kHz : ≥ 65 dB
- $f_{nom} \pm 17.3$ kHz ± 1.0 MHz : ≥ 65 dB (except spurious)
- 1.7 Terminating impedance (input and output) : 50 Ohm // 0 pF
- 1.8 Intermodulation (IL = 0 dBm) $f_{nom} \pm 50$ kHz and ± 100 kHz : ≥ 64 dB
- 1.9 Operating temperature range : -40°C až +75°C
- 1.10 Case : KF 17 (38.4 x 18.2 x 13.0 mm)
- 1.11 Marking on the case :

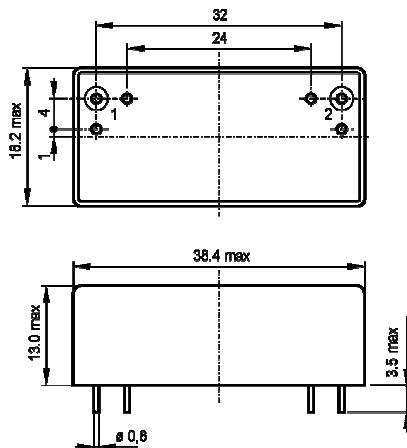
KRYSTALY CZ YYWW
MCF 70.0-6.6/06

YY = year
WW = week

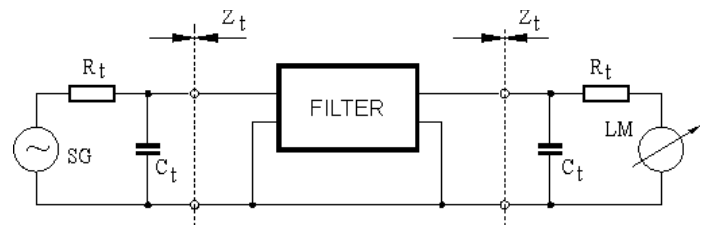
2. Characteristics MCF 70.0-6.6/06



Dimensions [mm] Case KF-17



Measurement Circuit



edited	08.08.2011	P. Seidl
--------	------------	----------