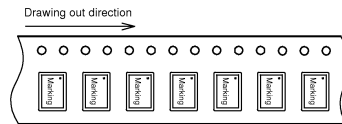


SPECIFICATION FOR CRYSTAL FILTER MCF 70.0-25/S2

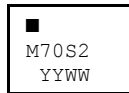
Number: 92 315
Drawing: 64 9513

1. Electric values

- 1.0 Number of poles: 4
- 1.1 Nominal centre frequency f_{nom}: 70 000 kHz (fundamental mode)
- 1.2 Bandwidth between 3 dB frequencies: ≥± 12.5 kHz
- 1.3 Ripple at f_{nom} ± 10 kHz: ≤ 1.0 dB
- 1.4 Insertion loss: ≤ 4.0 dB
- 1.5 Stop band: from ± 25 kHz: ≥ 10 dB
from ± 50 kHz: ≥ 40 dB
- 1.6 Alternate attenuation: from ± 910 kHz: ≥ 60 dB (except spurious)
- 1.7 Terminating impedance Input and Output : 1000 Ohm // +1.0 pF
Coupling capacitance: +2.8 pF
- 1.8 Maximum input power level (working / non-damaged): -10 / +10 dBm
- 1.9 Outband intermodulation Frequency 1, 2 : from ± 100 kHz , f_{nom} ± 200 kHz
Input power level: -10 dBm
Intermodulation (IP3 > +25 dBm) > 70 dB down from both -10dBm tones
- 1.10 Operating temperature range: - 40°C až + 85°C
- 1.11 Case: SMD 7 x 5 mm
- 1.12 Taping 1000 pcs. /reel maximum



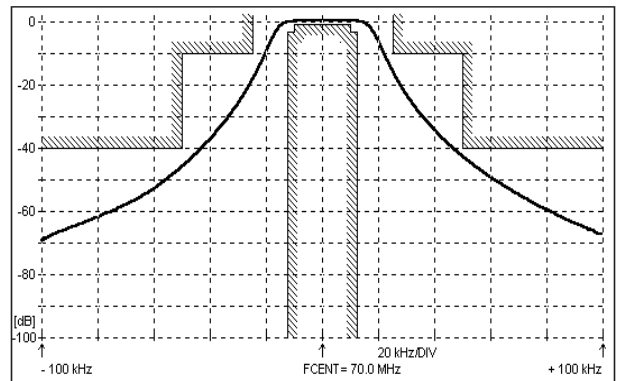
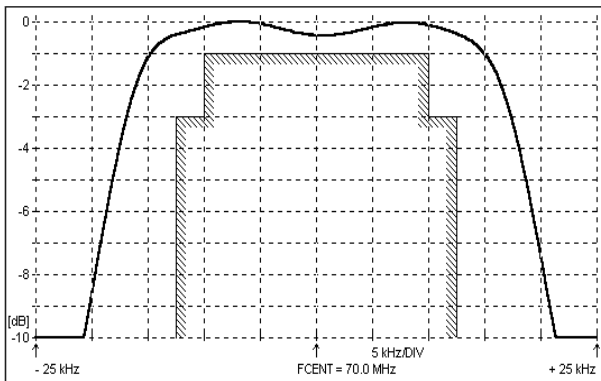
1.13 Marking on the case :



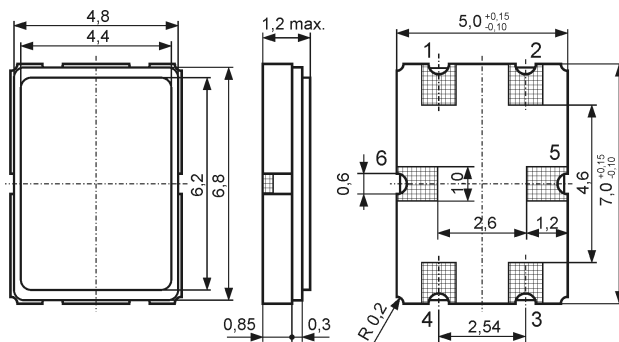
YY - year
WW - week

(or customer's marking)

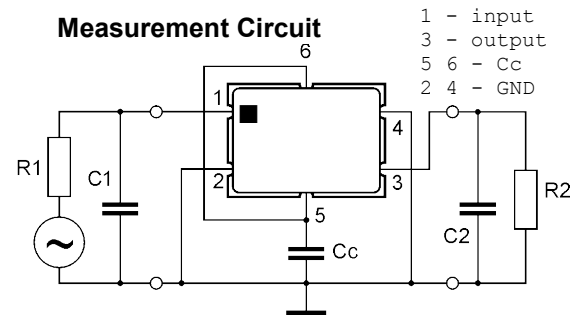
2. Characteristics MCF 70.0-25/S2



Dimensions [mm]



Measurement Circuit



Cc: External coupling capacitor is required

edited 26.03.2014 P.Jungling