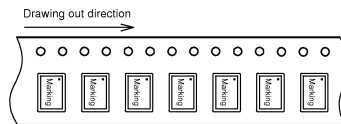


SPECIFICATION FOR CRYSTAL FILTER MCF 70.0-25/S22

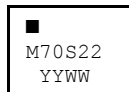
Number: 92 342
Drawing: 64 9513

1. Electric values

- 1.0 Number of poles: 4
- 1.1 Nominal centre frequency fnom: 70 000 kHz (fundamental mode)
- 1.2 Bandwidth between 3 dB frequencies: $\geq \pm 12.5$ kHz
- 1.3 Ripple at fnom ± 9 kHz: ≤ 0.6 dB
- 1.4 Insertion loss: ≤ 3.5 dB
- 1.5 Stop band: from ± 25 kHz: ≥ 10 dB
from ± 55 kHz: ≥ 40 dB
- 1.6 Alternate attenuation: from ± 910 kHz: ≥ 60 dB (except spurious)
- 1.7 Terminating impedance Input and Output : 1000 Ohm // +0.8 pF
Coupling capacitance: +2.7 pF
- 1.8 Maximum input power level (working / non-damaged): -10 / +10 dBm
- 1.9 Operating temperature range: - 30°C až + 85°C
- 1.10 Case: SMD 7 x 5 mm
- 1.11 Taping 1000 pcs. /reel maximum



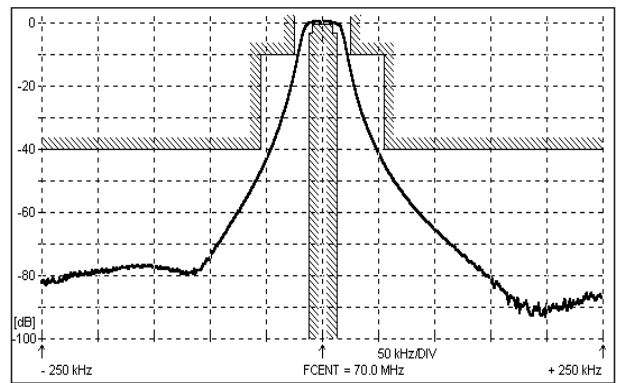
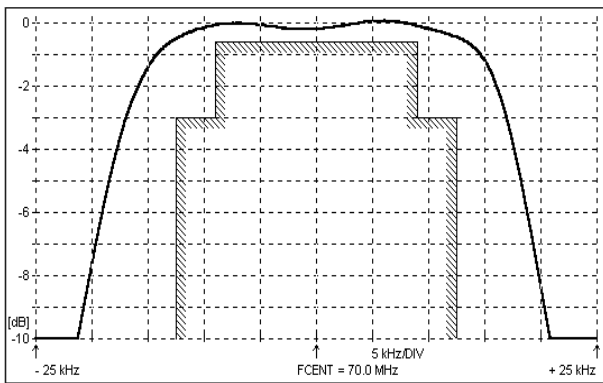
1.12 Marking on the case :



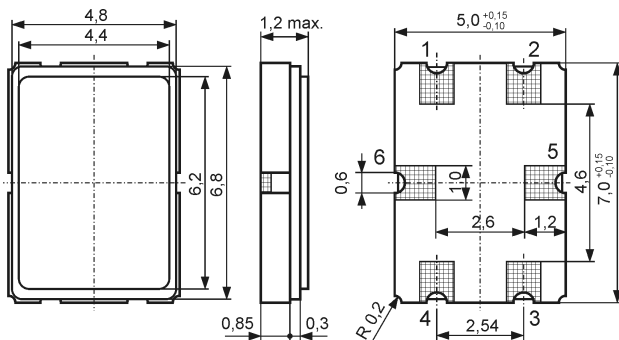
YY - year
WW - week

(or customer's marking)

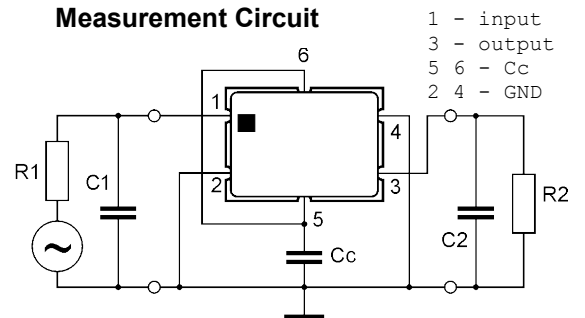
2. Characteristics MCF 70.0-25/S22



Dimensions[mm]



Measurement Circuit



- 1 - input
- 3 - output
- 5 6 - Cc
- 2 4 - GND

Cc: External coupling capacitor is required

edited 21.11.2014 P.Jungling