

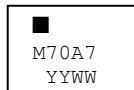


SPECIFICATION FOR CRYSTAL FILTER
MCF 70.0-50/21

Number: 92 207
Drawing: 64 9513

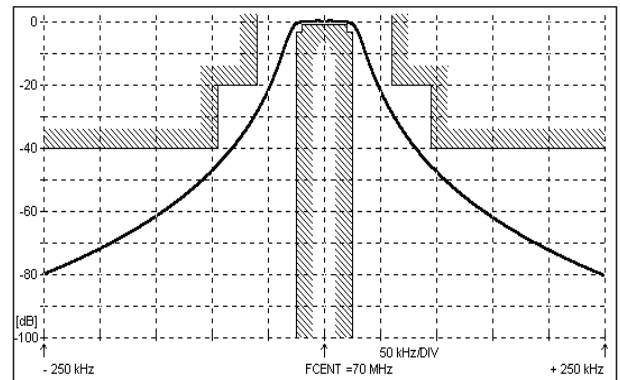
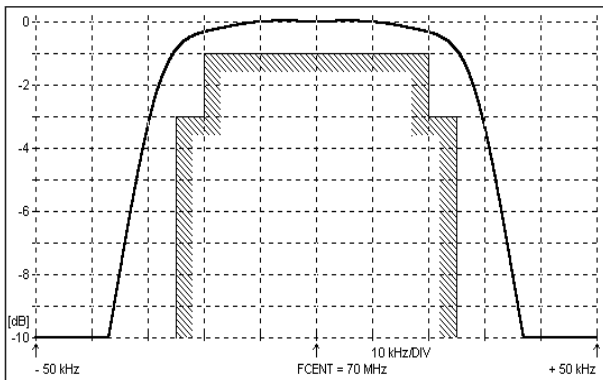
1. Electric values

- | | |
|--|---|
| 1.0 Number of poles: | 4 |
| 1.1 Nominal centre frequency f _{nom} : | 70 000 kHz |
| 1.2 Bandwidth between 3 dB frequencies: | ≥ ± 25 kHz |
| 1.3 Ripple at f _{nom} ± 20 kHz: | ≤ 1.0 dB |
| 1.4 Insertion loss: | ≤ 3.0 dB |
| 1.5 Stop band: f _{nom} ± 60 kHz: | ≥ 20 dB |
| f _{nom} ± 95 kHz: | ≥ 40 dB |
| 1.6 Alternate attenuation: f _{nom} ± 910 kHz: | ≥ 65 dB (except spurious) |
| 1.7 Terminating impedance Input and Output : | 1500 Ohm // +0.4 pF |
| Coupling capacitance: | +1.6 pF |
| 1.8 Maximum input power level (working / non-damaged): | 0 / +10 dBm |
| 1.9 Outband intermodulation Frequency 1, 2 : | f _{nom} ± 100 kHz , f _{nom} ± 200 kHz |
| Input power level: | -10 dBm |
| Intermodulation (IP3 > +25 dBm) | > 70 dB down from both -10dBm tones |
| 1.10 Operating temperature range: | - 40°C až + 85°C |
| 1.11 Case: | SMD 7 x 5 mm |
| 1.12 Taping 3000 pcs. /reel maximum | |
| 1.13 Marking on the case : | |

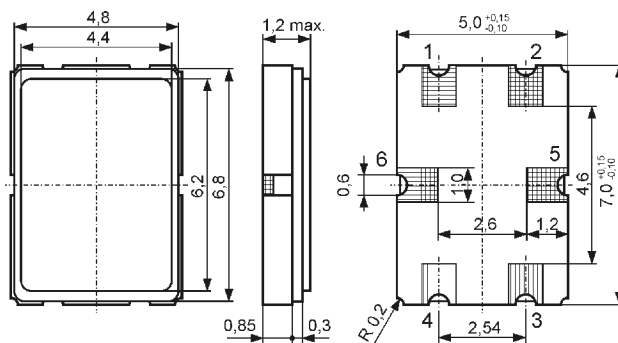


YY - year
WW - week

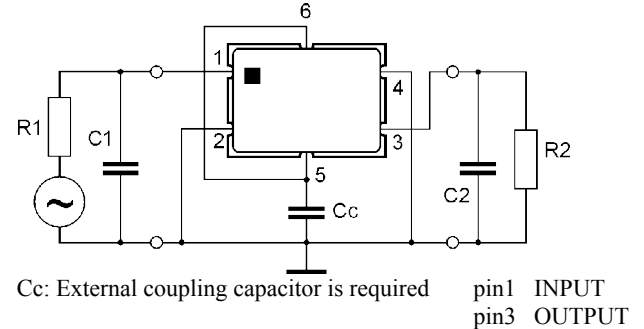
2. Characteristics MCF 70.0-50/21



Dimensions[mm]



Measurement Circuit



edited | 17.07.2012 | P.Jüngling