

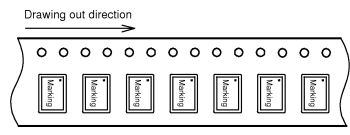


# SPECIFICATION FOR CRYSTAL FILTER MCF 70.0-50/22

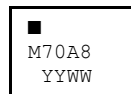
Number: 92 293  
Drawing: 64 9513

## 1. Electric values

- 1.0 Number of poles: 4
- 1.1 Nominal centre frequency f<sub>nom</sub>: 70 000 kHz (fundamental mode)
- 1.2 Bandwidth between 1 dB frequencies: ≥± 25 kHz
- 1.3 Ripple at f<sub>nom</sub> ± 25 kHz: ≤ 1.0 dB
- 1.4 Insertion loss: ≤ 3.0 dB
- 1.5 Stop band: f<sub>nom</sub> ± 50 kHz: ≥ 10 dB  
f<sub>nom</sub> ± 100 kHz: ≥ 40 dB
- 1.6 Alternate attenuation: f<sub>nom</sub> ± 910 kHz: ≥ 65 dB (except spurious)
- 1.7 Terminating impedance Input and Output : 1500 Ohm // +0.4 pF  
Coupling capacitance: +1.4 pF
- 1.8 Maximum input power level (working / non-damaged): 0 / +10 dBm
- 1.9 Outband intermodulation Frequency 1, 2 : f<sub>nom</sub> ± 100 kHz, f<sub>nom</sub> ± 200 kHz  
Input power level: -10 dBm  
Intermodulation (IP3 > +25 dBm) > 70 dB down from both -10 dBm tones
- 1.10 Operating temperature range: -40°C až +85°C
- 1.11 Case: SMD 7 x 5 mm
- 1.12 Taping 1000 pcs. /reel maximum

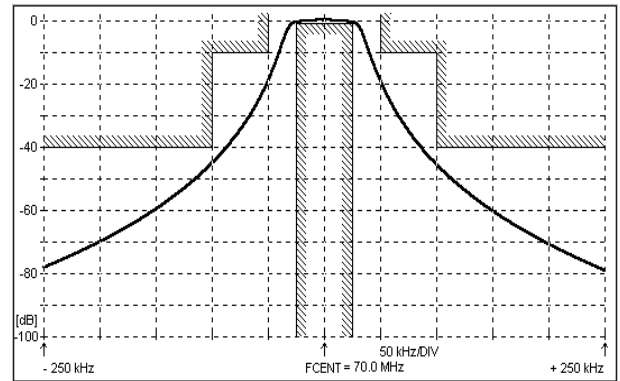
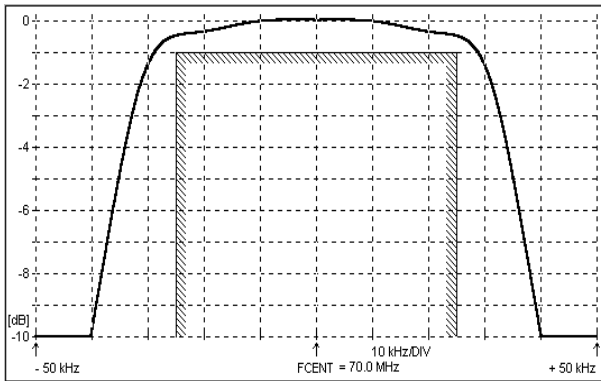


1.13 Marking on the case :

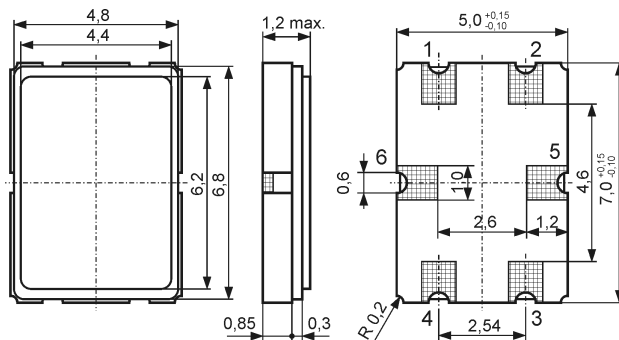


YY - year  
WW - week

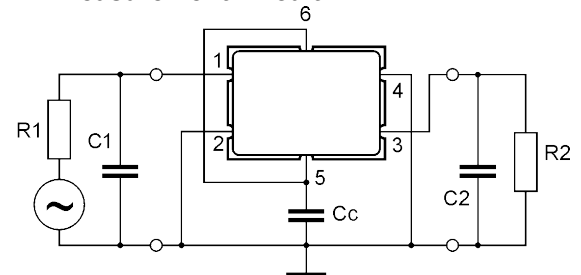
## 2. Characteristics MCF 70.0-50/22



### Dimensions[mm]



### Measurement Circuit



Cc: External coupling capacitor is required

edited 30.08.2013 P.Jungling