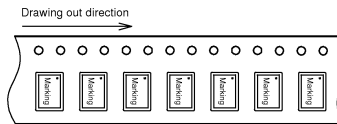


SPECIFICATION FOR CRYSTAL FILTER MCF 86.79-40/B2

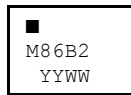
Number: 92 298
Drawing: 64 9513

1. Electric values

- 1.0 Number of poles: 4
- 1.1 Nominal centre frequency f_{nom}: 86 790 kHz (fundamental mode)
- 1.2 Bandwidth between 3 dB frequencies: ≥± 20 kHz
- 1.3 Ripple at f_{nom} ± 14.5 kHz: ≤ 1.0 dB
- 1.4 Insertion loss: ≤ 3.0 dB
- 1.5 Stop band: f_{nom} ± 50 kHz: ≥ 15 dB
f_{nom} ± 100 kHz: ≥ 40 dB
f_{nom} ± 200 kHz: ≥ 60 dB (except spurious)
- 1.6 Terminating impedance Input and Output : 800 Ohm // +0.8 pF
Coupling capacitance: +2.7 pF
- 1.7 Maximum input power level (working / non-damaged): -10 / 0 dBm
- 1.8 Operating temperature range: - 20°C až + 70°C
- 1.9 Case: SMD 7 x 5 mm
- 1.10 Taping 1000 pcs. /reel maximum

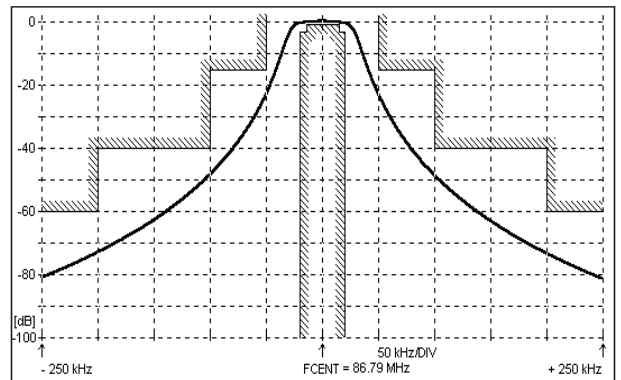
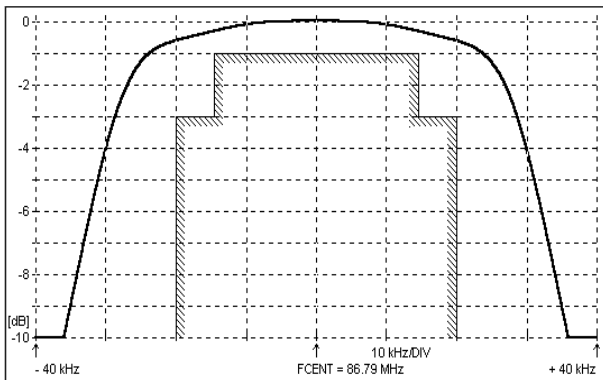


1.11 Marking on the case :

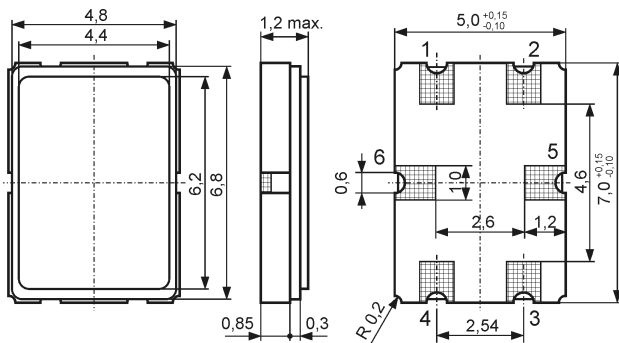


YY - year
WW – week

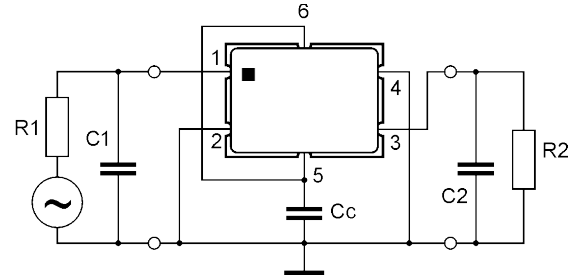
2. Characteristics MCF 86.79-40/B2



Dimensions[mm]



Measurement Circuit



Cc: External coupling capacitor is required

edited 30.08.2013 P.Jungling